

Product specification for inductive components

Form: MF04.05 (F108)
Revision: 01

Client:	MAGNETEC GmbH	Magnetec P/N:	M-813	Magnetec A/N:	12560
Client's P/N:	/	PS Index:	01	PS Revision:	02
Subject:	CT Wandler				

1. Mechanical Outline

Nominal equivalent round core:

25 x 20 x 8

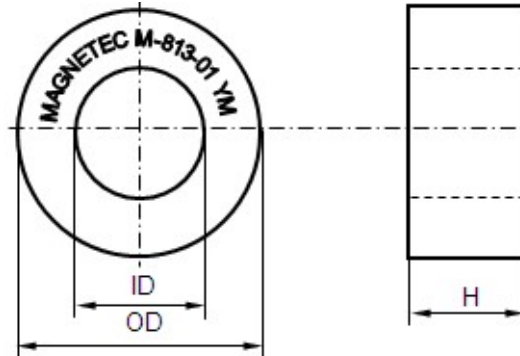
Finished product dimensions:

OD \leq 27,7

ID \geq 17,6

H \leq 10,7

[dimensions] = mm



2. Core data (nominal values)

Core material:	NANOPERM®	$L_{Fe} = 7,03 \text{ cm}$	$A_{Fe} = 0,15 \text{ cm}^2$
Permeability level:	ca. 175.000	@ frequency 50 Hz	@ H peak 10 mA/cm

3. Inspection values (at room temperature, unless otherwise stated)

Measured value	Measurement limits	Frequency	$l_{eff} \times N$ [mA x turn]
AL [μH]	32 - 64	50 Hz	50

4. Core finishing

Type:	Cased
Marking:	MAGNETEC M-813-01 YM (Y = year / M = month)
Packaging:	63 pcs. per layer; 7 layers per carton box; PU = 441 pcs.

5. Comments

Visit http://www.magnetec.de/fileadmin/pdf/pb_ds.pdf for further information.

Index / Revision	Alteration	Date
01 / 01	Product Specification	12.07.2011
01 / 02	Harmonization of part and finished product dimensions	15.01.2020

Created:	Z. Braxátor 15.01.2020	Approved (Techn):	F. Zámbořszky 15.01.2020	Approved (Quality):	G. Zsák 15.01.2020	Released:	D. Tóth 15.01.2020
-----------------	---------------------------	--------------------------	-----------------------------	----------------------------	-----------------------	------------------	-----------------------

Disclosing the specification to third parties or using its content without written permission from MAGNETEC is strictly forbidden and every offender is liable to pay the corresponding damages