

FORM F 108
Revision: 05
Page: 1/1

Product specification
for inductive components

MAGNETEC GmbH
Industriestrasse 7
D-63505 Langenselbold

Client:	MAGNETEC	Magnetec P/N:	M-831	Magnetec A/N:	12774
Client's P/N:	/	PS Index:	01	PS Revision:	02
Subject:	EMC Wandler				

1. Mechanical Outline

Nominal equivalent round core:

40 x 25 x 15

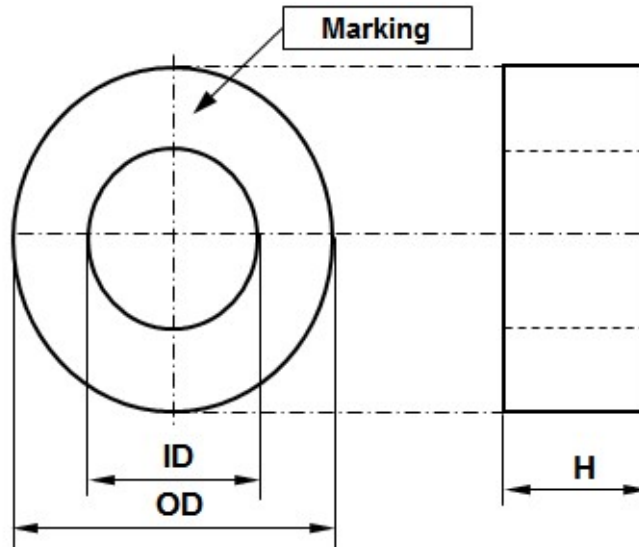
Finished product dimensions:

OD \leq 43,5

ID \geq 22,5

H \leq 18,5

[dimensions] = mm



2. Core data (nominal values)

Core material:	NANOPERM®	$L_{Fe} = 10 \text{ cm}$	$A_{Fe} = 0,83 \text{ cm}^2$
Permeability level:	8.000	@ frequency 10 kHz	@ H peak 3 mA/cm

3. Inspection values (at room temperature, unless otherwise stated)

Measured value	Measurement limits	Frequency	leff x N [mA x turn]
AL [μ H]	5,9 - 11,6	10 kHz	21
AL [μ H]	5,0 - NA	100 kHz	21

4. Core finishing

Type:	Cased
Marking:	MAGNETEC M-831-01 YM (YM = Year/Month), acc. to IEC 60062 6.1.1
Packaging:	24 pcs. per layer; 4 layers per carton box; PU = 96 pcs.

5. Comments

Visit http://www.magnetec.de/fileadmin/pdf/pb_ds.pdf for further information.

Index / Revision	Alteration	Date
01 / 01	First issue	29.01.2016
01 / 02	Core ID correction, OD of finished product increased by 0,2 mm	09.06.2017

Created:	Z. Palánki 09.06.2017	Approved (Techn):	F. Záborszky 20.06.2017	Approved (Quality):	G. Zsák 20.06.2017	Released:	P. Seiz 04.07.2017
----------	--------------------------	-------------------	----------------------------	---------------------	-----------------------	-----------	-----------------------

Disclosing the specification to third parties or using its content without written permission from MAGNETEC is strictly forbidden and every offender is liable to pay the corresponding damages