

Product specification for inductive components

 Form: MF04.05 (F108)
 Revision: 01

Client:	Magnetec GmbH	Magnetec P/N:	M-846	Magnetec A/N:	12648
Client's P/N:	/	PS Index:	01	PS Revision:	02
Subject:	CT Wandler				

1. Mechanical Outline

Nominal equivalent round core:

58 x 52 x 6

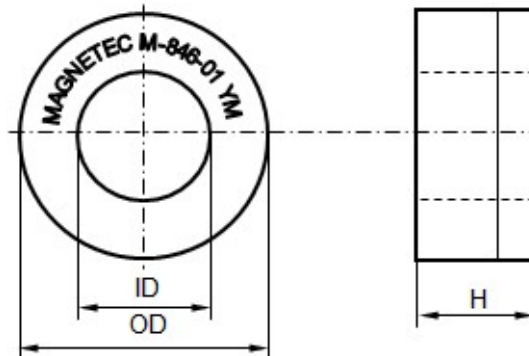
Finished product dimensions:

 OD ≤ **60,3**

 ID ≥ **49,7**

 H ≤ **8,2**

[dimensions] = mm



2. Core data (nominal values)

Core material:	NANOPERM®	$L_{Fe} = 17,25 \text{ cm}$	$A_{Fe} = 0,14 \text{ cm}^2$
Permeability level:	2.000	@ frequency 1 kHz	@ H peak 25 mA/cm

3. Inspection values (at room temperature, unless otherwise stated)

Measured value	Measurement limits	Frequency	$I_{eff} \times N$ [mA x turn]
AL [nH]	170 - 230	1 kHz	150
	170 - 230	1 kHz	300
	170 - 230	1 kHz	600

4. Core finishing

Type:	Cased
Marking:	MAGNETEC M-846-01 YM (YM = Year/Month), acc. to IEC 62 5.1
Packaging:	10 pcs. per layer; 8 layers per carton box; PU = 80 pcs.

5. Comments

 Visit http://www.magnetec.de/fileadmin/pdf/pb_ds.pdf for further information.

Index / Revision	Alteration	Date
01 / 01	Product specification	03.06.2013
01 / 02	Additional inspection points	16.05.2014

Created:	D. Tóth 16.05.2014	Approved (Techn):	F. Záborszky 22.05.2014	Approved (Quality):	J. Gulyás 22.05.2014	Released:	H. Doenges
-----------------	-----------------------	--------------------------	----------------------------	----------------------------	-------------------------	------------------	------------

Disclosing the specification to third parties or using its content without written permission from MAGNETEC is strictly forbidden and every offender is liable to pay the corresponding damages