



## Product specification for inductive components

Form: MF04.05 (F108)  
Revision: 01

<b>Client:</b>	<b>Magnetec</b>	<b>Magnetec P/N:</b>	<b>M-875</b>	<b>Magnetec A/N:</b>	<b>12672</b>
<b>Client's P/N:</b>	/	<b>PS Index:</b>	<b>01</b>	<b>PS Revision:</b>	<b>01</b>
<b>Subject:</b>	<b>CT Wandler</b>				

### 1. Mechanical Outline

Nominal equivalent round core:

**12,5 x 10 x 5**

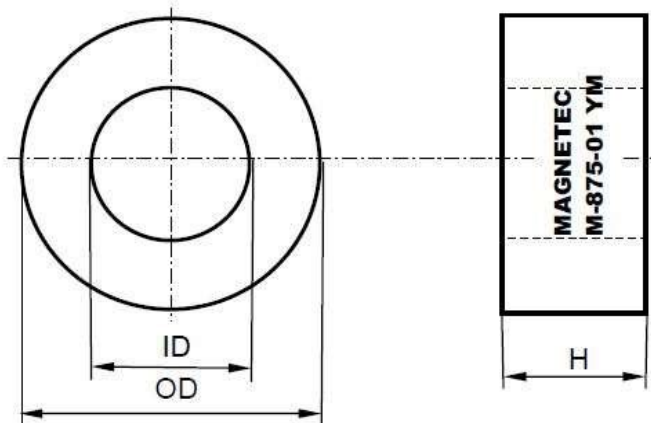
Finished product dimensions:

OD  $\leq$  13,5

ID  $\geq$  8,5

H  $\leq$  6,0

[dimensions] = mm



### 2. Core data (nominal values)

Core material:	<b>NANOPERM®</b>	$L_{Fe} = 3,50 \text{ cm}$	$A_{Fe} = 0,05 \text{ cm}^2$
Permeability level:	ca. 180.000	@ frequency 50 Hz	@ H peak 4,0 mA/cm

### 3. Inspection values (at room temperature, unless otherwise stated)

Measured value	Measurement limits	Frequency	leff x N [mA x turn]
<b>AL [μH]</b>	<b>20 - 40</b>	<b>50 Hz</b>	<b>10</b>

### 4. Core finishing

Type:	<b>Epoxy coated</b>
Marking:	<b>MAGNETEC M-875-01 YM (YM = Year/Month), acc. to IEC 60062 6.1.1</b>
Packaging:	<b>110 pcs. per layer; 10 layers per carton box; PU = 1100 pcs.</b>

### 5. Comments

Visit [http://www.magnetec.de/fileadmin/pdf/pb\\_ds.pdf](http://www.magnetec.de/fileadmin/pdf/pb_ds.pdf) for further information.

Index / Revision	Alteration	Date
01 / 01	First issue	07.04.2014

<b>Created:</b>	D. Tóth 07.04.2014	<b>Approved (Techn):</b>	Z. Palánki 14.04.2014	<b>Approved (Quality):</b>	J. Gulyás	<b>Released:</b>	H. Doenges
-----------------	-----------------------	--------------------------	--------------------------	----------------------------	-----------	------------------	------------

Disclosing the specification to third parties or using its content without written permission from MAGNETEC is strictly forbidden and every offender is liable to pay the corresponding damages