



Product specification for inductive components

Form: MF04.05 (F108)
Revision: 01

Client:	MAGNETEC GmbH	Magnetec P/N:	M-880	Magnetec A/N:	53142
Client's P/N:	/	PS Index:	01	PS Revision:	01
Subject:	CT Wandler				

1. Mechanical Outline

Nominal equivalent round core:

21,5 x 18 x 6

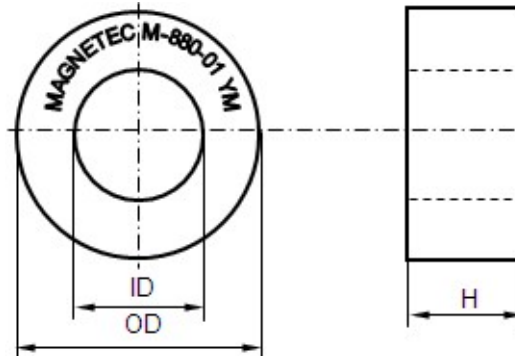
Finished product dimensions:

OD \leq **22,9**

ID \geq **16,8**

H \leq **7,7**

[dimensions] = mm



2. Core data (nominal values)

Core material:	NANOPERM®	$L_{Fe} = 6,19$ cm	$A_{Fe} = 0,08$ cm ²
Permeability level:	1.600	@ frequency 1 kHz	@ H peak 23 mA/cm

3. Inspection values (at room temperature, unless otherwise stated)

Measured value	Measurement limits	Frequency	leff x N [mA x turn]
AL [nH]	219 - 293	1 kHz	100

4. Core finishing

Type:	Cased
Marking:	MAGNETEC M-880-01 YM (YM = Year/Month), acc. to IEC 62 5.1
Packaging:	pcs. per layer; layers per carton box; PU = pcs.

5. Comments

Visit http://www.magnetec.de/fileadmin/pdf/pb_ds.pdf for further information.

Index / Revision	Alteration	Date
01 / 01	Product specification	02.07.2012

Created:	Zs. Sándor 02.07.2012	Approved (Techn):	F. Zámboreszky 02.07.2012	Approved (Quality):	J. Gulyás 02.07.2012	Released:	H. Doenges 02.07.2012
-----------------	--------------------------	--------------------------	------------------------------	----------------------------	-------------------------	------------------	--------------------------

Disclosing the specification to third parties or using its content without written permission from MAGNETEC is strictly forbidden and every offender is liable to pay the corresponding damages