



Product specification for inductive components

Form: MF04.05 (F108)
Revision: 01

Client:	MAGNETEC	Magnetec P/N:	M-884	Magnetec A/N:	53133
Client's P/N:	/	PS Index:	01	PS Revision:	01
Subject:	CT Wandler				

1. Mechanical Outline

Nominal equivalent round core:

32 x 26,5 x 6

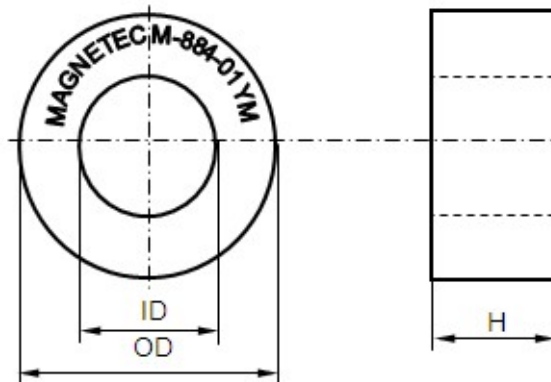
Finished product dimensions:

OD \leq **34,1**

ID \geq **24,8**

H \leq **8,1**

[dimensions] = mm



2. Core data (nominal values)

Core material:	NANOPERM®	$L_{Fe} = 9,16 \text{ cm}$	$A_{Fe} = 0,12 \text{ cm}^2$
Permeability level:	2.000	@ frequency 1 kHz	@ H peak 15,5 mA/cm

3. Inspection values (at room temperature, unless otherwise stated)

Measured value	Measurement limits	Frequency	$l_{eff} \times N$ [mA x turn]
AI [nH]	305 - 373	1 kHz	100

4. Core finishing

Type:	Cased
Marking:	MAGNETEC M-884-01 YM (Y = year / M = month)
Packaging:	pcs. per layer; layers per carton box; PU = pcs.

5. Comments

Visit http://www.magnetec.de/fileadmin/pdf/pb_ds.pdf for further information.

Index / Revision	Alteration	Date
01 / 01	Product specification	28.04.2011

Created:	Zs. Sándor 28.04.2011	Approved (Techn):	F. Zámboreszky 28.04.2011	Approved (Quality):	V. Káposztás 28.04.2011	Released:	H. Doenges 28.04.2011
-----------------	--------------------------	--------------------------	------------------------------	----------------------------	----------------------------	------------------	--------------------------

Disclosing the specification to third parties or using its content without written permission from MAGNETEC is strictly forbidden and every offender is liable to pay the corresponding damages