

## Product specification for inductive components

Form: MF04.05 (F108)  
Revision: 01

<b>Client:</b>	<b>MAGNETEC GmbH</b>	<b>Magnetec P/N:</b>	<b>M-888</b>	<b>Magnetec A/N:</b>	<b>12561</b>
<b>Client's P/N:</b>	/	<b>PS Index:</b>	<b>01</b>	<b>PS Revision:</b>	<b>02</b>
<b>Subject:</b>	<b>CT Wandler</b>				

### 1. Mechanical Outline

Nominal equivalent round core:

**25 x 20,1 x 6**

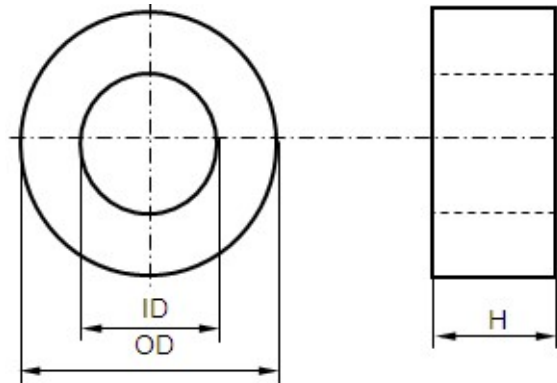
Finished product dimensions:

OD  $\leq$  **26,5**

ID  $\geq$  **18,8**

H  $\leq$  **7,8**

[dimensions] = mm



### 2. Core data (nominal values)

Core material:	<b>NANOPERM®</b>	$L_{Fe} = 7,06$ cm	$A_{Fe} = 0,11$ cm <sup>2</sup>
Permeability level:	<b>1.600</b>	@ frequency <b>1 kHz</b>	@ H peak <b>25 mA/cm</b>

### 3. Inspection values (at room temperature, unless otherwise stated)

Measured value	Measurement limits	Frequency	leff x N [mA x turn]
<b>AI [nH]</b>	<b>294 - 333</b>	<b>1 kHz</b>	<b>125</b>

### 4. Core finishing

Type:	<b>Cased</b>
Marking:	<b>none</b>
Packaging:	<b>63 pcs. per layer; 9 layers per carton box; PU = 567 pcs.</b>

### 5. Comments

5 % measurement deviation has to be considered.

Visit [http://www.magnetec.de/fileadmin/pdf/pb\\_ds.pdf](http://www.magnetec.de/fileadmin/pdf/pb_ds.pdf) for further information.

Index / Revision	Alteration	Date
01 / 01	Product Specification	20.07.2011
01 / 02	Add one sentence to the comments	01.02.2019

<b>Created:</b>	Z. Braxátor 01.02.2019	<b>Approved (Techn):</b>	F. Záborszky 12.02.2019	<b>Approved (Quality):</b>	G. Zsák 12.02.2019	<b>Released:</b>	P. Seiz 14.03.2019
-----------------	---------------------------	--------------------------	----------------------------	----------------------------	-----------------------	------------------	-----------------------

Disclosing the specification to third parties or using its content without written permission from MAGNETEC is strictly forbidden and every offender is liable to pay the corresponding damages