



Product specification for inductive components

Form: MF04.05 (F108)
Revision: 01

Client:	MAGNETEC	Magnetec P/N:	M-895	Magnetec A/N:	12652
Client's P/N:	/	PS Index:	01	PS Revision:	01
Subject:	CT Wandler				

1. Mechanical Outline

Nominal equivalent round core:

11 x 7 x 5

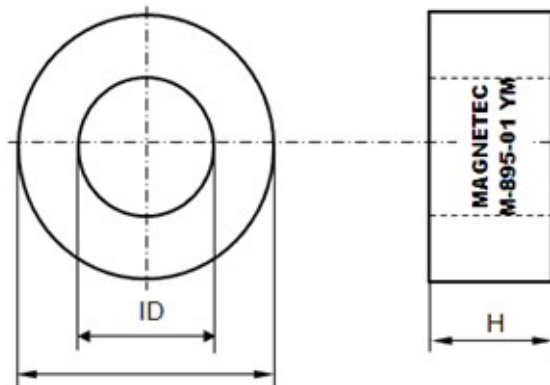
Finished product dimensions:

OD \leq **12,5**

ID \geq **5,5**

H \leq **6,2**

[dimensions] = mm



2. Core data (nominal values)

Core material:	NANOPERM®	$L_{Fe} = 2,8 \text{ cm}$	$A_{Fe} = 0,07 \text{ cm}^2$
Permeability level:	ca. 30 000	@ frequency 10 kHz	@ H peak 2,5 mA/cm

3. Inspection values (at room temperature, unless otherwise stated)

Measured value	Measurement limits	Frequency	leff x N [mA x turn]
AL [μH]	6,9 - 13,9	10 kHz	5,0

4. Core finishing

Type:	Epoxy coated
Marking:	MAGNETEC M-895-01 YM (YM = Year/Month), acc. to IEC 62 5.1
Packaging:	128 pcs. per layer; 10 layers per carton box; PU = 1280 pcs.

5. Comments

Similar as Magnetec A/N 12490, but different coating material. Visit http://www.magnetec.de/fileadmin/pdf/pb_ds.pdf for further information.

Index / Revision	Alteration	Date
01 / 01	Product Specification	08.07.2013

Created:	Zs. Sándor 08.07.2013	Approved (Techn):	F. Zámboorszky 15.07.2013	Approved (Quality):	J. Gulyás 16.07.2013	Released:	F. Rauscher 16.07.2013
-----------------	--------------------------	--------------------------	------------------------------	----------------------------	-------------------------	------------------	---------------------------

Disclosing the specification to third parties or using its content without written permission from MAGNETEC is strictly forbidden and every offender is liable to pay the corresponding damages.