

Product specification for inductive components

Form: MF04.05 (F108)
Revision: 01

Client:	MAGNETEC GmbH	Magnetec P/N:	M-899	Magnetec A/N:	53175
Client's P/N:	/	PS Index:	01	PS Revision:	01
Subject:	CT Wandler				

1. Mechanical Outline

Nominal equivalent round core:

29 x 17 x 7

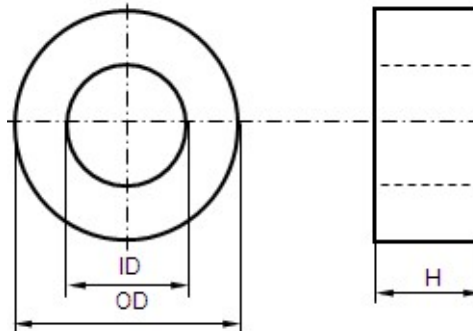
Finished product dimensions:

OD \leq **30,7**

ID \geq **15,3**

H \leq **8,8**

[dimensions] = mm



2. Core data (nominal values)

Core material:	NANOPERM®	$L_{Fe} = 7,05 \text{ cm}$	$A_{Fe} = 0,31 \text{ cm}^2$
Permeability level:	> 150.000	@ frequency 50 Hz	@ H peak 8 mA/cm

3. Inspection values (at room temperature, unless otherwise stated)

Measured value	Measurement limits	Frequency	leff x N [mA x turn]
AL_s [μH]	85 - NA	50 Hz	40
R_s [mOhm]	0 - 3	50 Hz	40

4. Core finishing

Type:	Cased
Marking:	None
Packaging:	- pcs. per layer; - layers per carton box; PU = - pcs.

5. Comments

Visit http://www.magnetec.de/fileadmin/pdf/pb_ds.pdf for further information.

Index / Revision	Alteration	Date
01 / 01	Product Specification	14.04.2014

Created:	Zs. Sándor 14.04.2014	Approved (Techn):	F. Zámboreszky 14.04.2014	Approved (Quality):	J. Gulyás 14.04.2014	Released:	H. Doenges 14.04.2014
-----------------	--------------------------	--------------------------	------------------------------	----------------------------	-------------------------	------------------	--------------------------

Disclosing the specification to third parties or using its content without written permission from MAGNETEC is strictly forbidden and every offender is liable to pay the corresponding damages