

Product specification for inductive components

Form: MF04.05 (F108)
Revision: 01

Client:	MAGNETEC	Magnetec P/N:	M-911	Magnetec A/N:	53179
Client's P/N:	/	PS Index:	01	PS Revision:	03
Subject:	CT Wandler				

1. Mechanical Outline

Nominal equivalent round core:

22 x 18 x 5

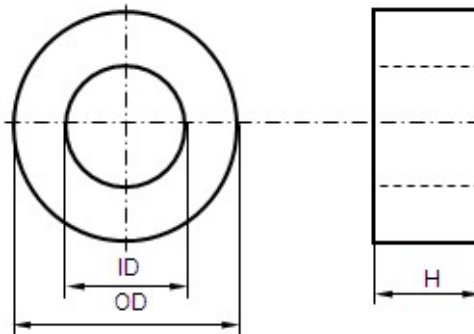
Finished product dimensions:

OD \leq **24,2**

ID \geq **15,8**

H \leq **7,2**

[dimensions] = mm



2. Core data (nominal values)

Core material:	NANOPERM®	$L_{Fe} = 6,26 \text{ cm}$	$A_{Fe} = 0,07 \text{ cm}^2$
Permeability level:	ca.120.000	@ frequency 50 Hz	@ H peak 29 mA/cm

3. Inspection values (at room temperature, unless otherwise stated)

Measured value	Measurement limits	Frequency	leff x N [mA x turn]
AL [μH]	20 - 30	50 Hz	128

4. Core finishing

Type:	Cased
Marking:	None
Packaging:	- pcs. per layer; - layers per carton box; PU = - pcs.

5. Comments

- Visit http://www.magnetec.de/fileadmin/pdf/pb_ds.pdf for further information.

Index / Revision	Alteration	Date
01 / 01	First issue	27.05.2014
01 / 02	Measurement change	04.12.2014
01 / 03	Name change	03.02.2015

Created:	D. Tóth 03.02.2015	Approved (Techn):	F. Zámboorszky 13.02.2015	Approved (Quality):	J. Gulyás 13.02.2015	Released:	H. Doenges 13.02.2015
-----------------	-----------------------	--------------------------	------------------------------	----------------------------	-------------------------	------------------	--------------------------

Disclosing the specification to third parties or using its content without written permission from MAGNETEC is strictly forbidden and every offender is liable to pay the corresponding damages