

FORM F 108
Revision: 05
Page: 1/1

Product specification
for inductive components

MAGNETEC GmbH
Industriestrasse 7
D-63505 Langenselbold

Client:	MAGNETEC	Magnetec P/N:	M-933	Magnetec A/N:	12643
Client's P/N:	/	PS Index:	01	PS Revision:	03
Subject:	EMC Wandler				

1. Mechanical Outline

Nominal equivalent round core:

25,2 x 15,8 x 10

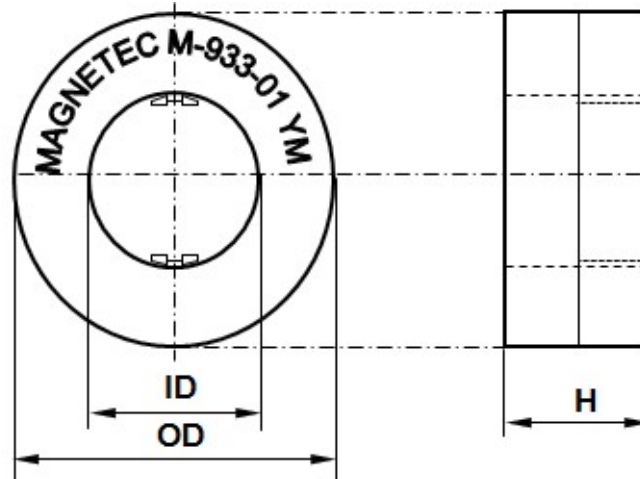
Finished product dimensions:

OD \leq 28,2

ID \geq 13

H \leq 12,8

[dimensions] = mm



2. Core data (nominal values)

Core material:	NANOPERM®	$L_{Fe} = 6,33 \text{ cm}$	$A_{Fe} = 0,35 \text{ cm}^2$
Permeability level:	> 85 000	@ frequency 10 kHz	@ H peak 3 mA/cm

3. Inspection values (at room temperature, unless otherwise stated)

Measured value	Measurement limits	Frequency	leff x N [mA x turn]
AL [μ H]	60 - NA	10 kHz	13,4
AL [μ H]	12,4 - NA	100 kHz	13,4

4. Core finishing

Type:	Cased in heat resistive box (+155°C)
Marking:	MAGNETEC M-933-01 YM (YM = Year/Month), acc. to IEC 62 5.1
Packaging:	63 pcs. per layer; 6 layers per carton box; PU = 378 pcs.

5. Comments

Operating temperature range: -40...+155°C Visit http://www.magnetec.de/fileadmin/pdf/pb_ds.pdf for further information.

Index / Revision	Alteration	Date
01 / 01	Product Specifikation	03.04.2013
01 / 02	Change of plastic material supplier's manufacturing facility from Belgium to a co-qualified facility in China, formal correction: nominal internal diameter is 15,8 mm	09.01.2015
01 / 03	Define 100kHz lower limit	16.01.2017

Created:	Z. Palánki 16.01.2017	Approved (Techn):	F. Záborszky 20.01.2017	Approved (Quality):	L. Ferencz 20.01.2017	Released:	T. Trupp 25.01.2017
----------	--------------------------	-------------------	----------------------------	---------------------	--------------------------	-----------	------------------------

Disclosing the specification to third parties or using its content without written permission from MAGNETEC is strictly forbidden and every offender is liable to pay the corresponding damages