

FORM F 108
Revision: 05
Page: 1/1

Product specification
for inductive components

MAGNETEC GmbH
Industriestrasse 7
D-63505 Langenselbold

Client:	MAGNETEC	Magnetec P/N:	M-949	Magnetec A/N:	12820
Client's P/N:	/	PS Index:	01	PS Revision:	01
Subject:	EMC Wandler				

1. Mechanical Outline

Nominal equivalent round core:

16 x 10 x 6

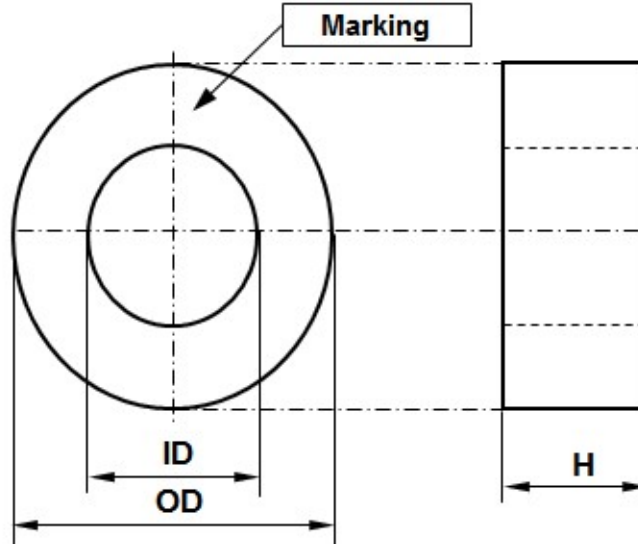
Finished product dimensions:

OD \leq 18,6

ID \geq 7,4

H \leq 8,6

[dimensions] = mm



2. Core data (nominal values)

Core material:	NANOPERM®	$L_{Fe} = 4,04$ cm	$A_{Fe} = 0,13$ cm ²
Permeability level:	~ 100 000	@ frequency 10 kHz	@ H peak 3,49 mA/cm

3. Inspection values (at room temperature, unless otherwise stated)

Measured value	Measurement limits	Frequency	leff x N [mA x turn]
AL [μ H]	30 - 60	10 kHz	10
AL [μ H]	6,3 - NA	100 kHz	10

4. Core finishing

Type:	Glued into case
Marking:	MAGNETEC M-949-01 YM (YM = Year/Month), acc. to IEC 60062 6.1.1
Packaging:	110 pcs. per layer; 9 layers per carton box; PU = 990 pcs.

5. Comments

Visit http://www.magnetec.de/fileadmin/pdf/pb_ds.pdf for further information.

Index / Revision	Alteration	Date
01 / 01	First issue	12.10.2016

Created:	Z. Palánki 12.10.2016	Approved (Techn):	F. Záborszky 13.10.2016	Approved (Quality):	L. Ferencz 13.10.2016	Released:	P. Seiz 18.10.2016
----------	--------------------------	-------------------	----------------------------	---------------------	--------------------------	-----------	-----------------------

Disclosing the specification to third parties or using its content without written permission from MAGNETEC is strictly forbidden and every offender is liable to pay the corresponding damages