

## Product specification for inductive components

Form: MF04.05 (F108)  
Revision: 01

<b>Client:</b>	<b>MAGNETEC</b>	<b>Magnetec P/N:</b>	<b>M-950</b>	<b>Magnetec A/N:</b>	<b>12776</b>
<b>Client's P/N:</b>	/	<b>PS Index:</b>	<b>01</b>	<b>PS Revision:</b>	<b>02</b>
<b>Subject:</b>	<b>EMC Wandler</b>				

### 1. Mechanical Outline

Nominal equivalent round core:

**41 x 24,8 x 15**

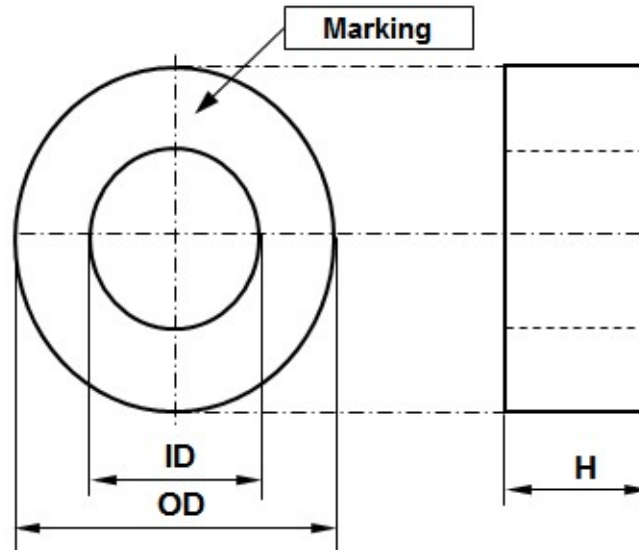
Finished product dimensions:

OD  $\leq$  **44,3**

ID  $\geq$  **21,5**

H  $\leq$  **18,9**

[dimensions] = mm



### 2. Core data (nominal values)

Core material:	<b>NANOPERM®</b>	$L_{Fe} = 10,1 \text{ cm}$	$A_{Fe} = 0,89 \text{ cm}^2$
Permeability level:	<b>90 000</b>	@ frequency <b>10 kHz</b>	@ H peak <b>3 mA/cm</b>

### 3. Inspection values (at room temperature, unless otherwise stated)

Measured value	Measurement limits	Frequency	leff x N [mA x turn]
<b>AL [<math>\mu</math>H]</b>	<b>69,4 - 138,7</b>	<b>10 kHz</b>	<b>21</b>
<b>AL [<math>\mu</math>H]</b>	<b>17,0 - NA</b>	<b>100 kHz</b>	<b>21</b>

### 4. Core finishing

Type:	<b>Glued into case</b>
Marking:	<b>MAGNETEC M-950-01 YM (YM = Year/Month), acc. to IEC 60062:2004 6.1.1</b>
Packaging:	<b>24 pcs. per layer; 4 layers per carton box; PU = 96 pcs.</b>

### 5. Comments

Visit [http://www.magnetec.de/fileadmin/pdf/pb\\_ds.pdf](http://www.magnetec.de/fileadmin/pdf/pb_ds.pdf) for further information.

Index / Revision	Alteration	Date
01 / 01	First issue	29.03.2016
01 / 02	Marking formal revision	18.02.2021

<b>Created:</b>	Z. Braxátor 18.02.2021	<b>Approved (Techn):</b>	F. Zámbořszky 25.02.2021	<b>Approved (Quality):</b>	Sz. Ilcsik 24.02.2021	<b>Released:</b>	B. Kessler 26.02.2021
-----------------	---------------------------	--------------------------	-----------------------------	----------------------------	--------------------------	------------------	--------------------------