

Client:	Magnetec	Magnetec P/N:	M-955	Magnetec A/N:	12988
Client's P/N:	/	PS Index:	01	PS Revision:	02
Subject:	CT Wandler				

1. Mechanical Outline

Nominal equivalent round core:

58 x 52 x 6

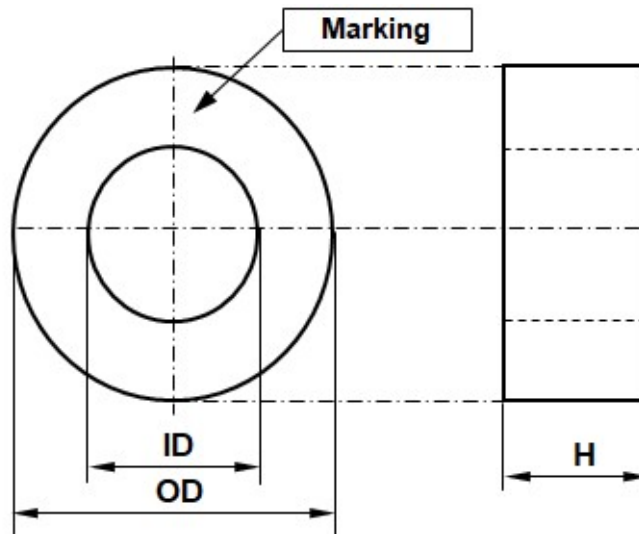
Finished product dimensions:

OD \leq **60,8**

ID \geq **49,4**

H \leq **8,2**

[dimensions] = mm



2. Core data (nominal values)

Core material:	NANOPERM®	$L_{Fe} = 17,25 \text{ cm}$	$A_{Fe} = 0,14 \text{ cm}^2$
Permeability level:	2.000	@ frequency 1 kHz	@ H peak 25 mA/cm

3. Inspection values (at room temperature, unless otherwise stated)

Measured value	Measurement limits	Frequency	I _{eff} x N [mA x turn]
AL [nH]	170 - 230	1 kHz	150
AL [nH]	170 - 230	1 kHz	300
AL [nH]	170 - 230	1 kHz	600

4. Core finishing

Type:	Cased
Marking:	MAGNETEC M-955-01 YM (YM = Year/Month), acc. to IEC 60062:2004 6.1.1
Packaging:	10 pcs. per layer; 8 layers per carton box; PU = 80 pcs.

5. Comments

Visit http://www.magnetec.de/fileadmin/pdf/pb_ds.pdf for further information.

Index / Revision	Alteration	Date
01 / 01	First issue	22.07.2021
01 / 02	OD and ID limits corrected.	01.10.2021

Created:	F. Zámbořszky 01.10.2021	Approved (Techn):	L. Tóth 04.10.2021	Approved (Quality):	A. Magyar Szabóné 04.10.2021	Released:	D. Tóth 10.01.2022
-----------------	-----------------------------	--------------------------	-----------------------	----------------------------	---------------------------------	------------------	-----------------------