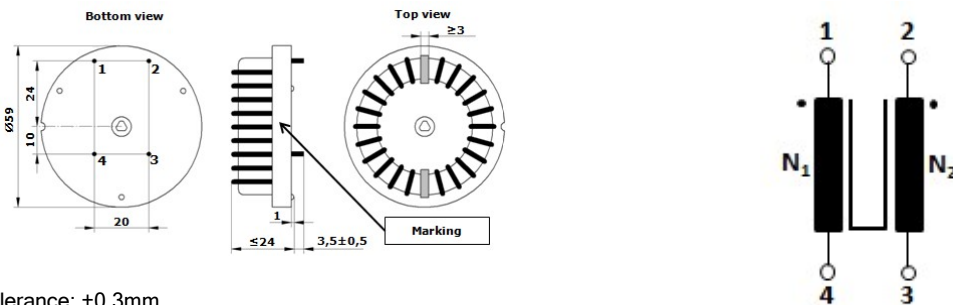


	Product specification for Inductive Components	Form:	MF04.07 (F190)
		Revision:	01

Client:	MAGNETEC	Magnetec P/N:	MB-021	Magnetec A/N:	12064
Client's p/n:		PS Index:	04	PS Revision:	06
Subject:	EMC Component				

1. Mechanical outline	Wiring diagram
	
<p>Pin position tolerance: $\pm 0,3\text{mm}$ Position of cable tie terminal clip is on the lower side of the core's inner perimeter.</p>	

2. Nominal values			
Core material:	NANOPERM®	High voltage strength:	$U_{p,eff} = 2,5 \text{ kV}$
Nominal voltage:	250 Veff AC	Ambient temperature:	$-40 \dots +50 \text{ }^\circ\text{C}$
Nominal inductance:	$2 \times 1,2 \text{ mH @ } 100\text{kHz}$	Max. operating temperature:	$^\circ\text{C}$
Nominal current:	20 A	Storage temperature:	$-40 \dots +85 \text{ }^\circ\text{C}$
Leakage inductances:	ca. $8 \mu\text{H}$	Design standard:	EN 60938-1
No. of turns:	$N1 = N2 = 11$	Wire diameter:	1,6 mm
Comments:			

3. Inspection values (at room temperature, unless otherwise stated)			
Measured value	Measuring limits	Measuring configurations	
Inductivity L1; L2 [mH]	0,7 - 1,5	f = 100 kHz	$i_{eff} = 1,5 \text{ mA}$
Wire resistance Rcu1; Rcu2 [mOhms]	NA - 8,0	RT = 25 $^\circ\text{C}$	
HV strength between N1 and N2 / liso < 1mA	OK - NOK	$U_{p,eff} = 2,5 \text{ kV}$	t = 2 s
	-		
	-		

4. Others	
Marking:	MAGNETEC MB-021-04 YM (YM = Year/Month), acc. to IEC 60062 6.1.1
Packaging:	6 pcs. per layer, 4 layers per carton box; PU = 24 pcs.
Comments:	Visit http://www.magnetec.de/fileadmin/pdf/pb_ds.pdf for further information.

Index / Rev.	Alteration	Date
04 / 02	Product Specification with MT-012 baseplate	31.05.2005
04 / 03	Packaging change	01.07.2005
04 / 04	LN format	25.02.2013
04 / 05	Maximum height increased	30.03.2015
04 / 06	Change to paper based packaging	06.10.2016

Created:	Z. Palánki	Approved (Techn):	F. Zámbořszky	Approved (Quality):	L. Ferencz	Released:	T. Trupp
	06.10.2016		20.10.2016		20.10.2016		21.10.2016

Disclosing the specification to third parties or using its content without written permission from MAGNETEC is strictly forbidden and every offender is liable to pay the corresponding damages