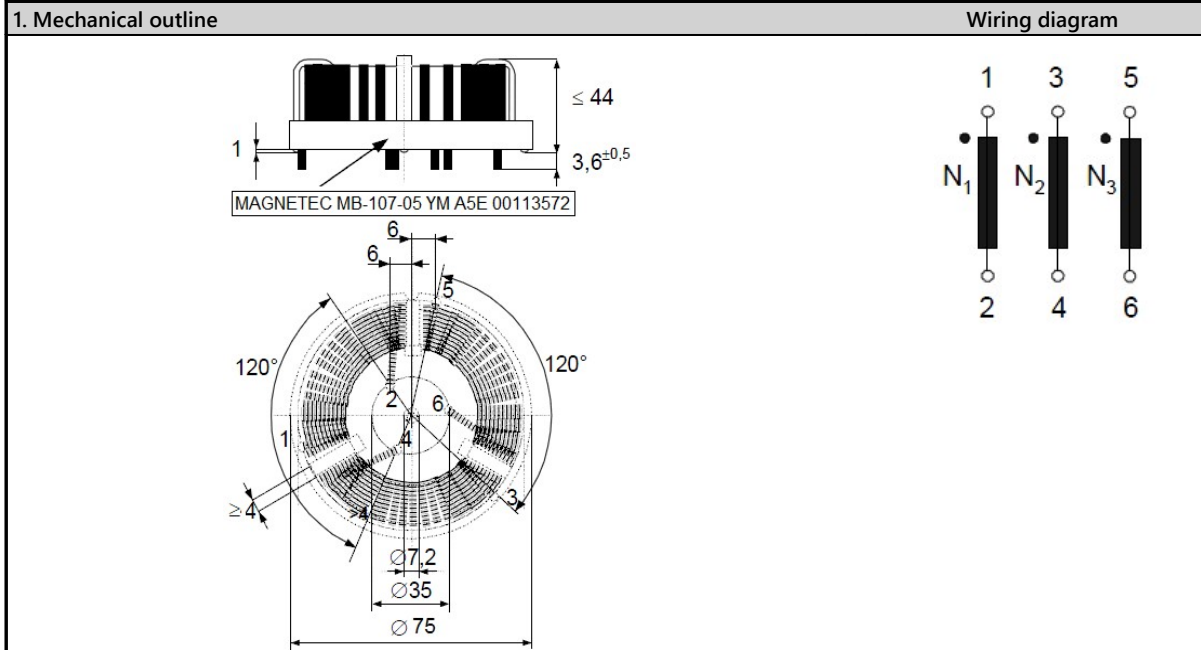


Product specification for Inductive Components

Form: MF04.07 (F190)
Revision: 01

Client:	SIEMENS	Magnetec P/N:	MB-107	Magnetec A/N:	12136
Client's p/n:	A5E 00113572	PS Index:	05	PS Revision:	05
Subject:	EMC Component				



Tolerance of pin distance: $\pm 0,3$ mm. Position of cable ties terminal clips are on the lower and upper side of the core's inner perimeter.

2. Nominal values			
Core material:	NANOPERM®	High voltage strength:	$U_{p,eff} = 2,8$ kV
Nominal voltage:	230 V _{eff} AC	Ambient temperature:	-40...+50 °C
Nominal inductance:	3 x 12 mH	Max. operating temperature:	°C
Nominal current:	33* A	Storage temperature:	-40 ... +85 °C
Leakage inductances:	ca. 50 µH	Design standard:	EN 60938-1
No. of turns:	N1 = N2 = N3 = 21	Wire diameter:	2,8 mm
Comments:	* forced air cooling assumed		

3. Inspection values (at room temperature, unless otherwise stated)			
Measured value	Measuring limits	Measuring configurations	
Inductivity L1; L2; L3 [mH]	6,0 - 16,3	f = 10 kHz	I _{eff} = 1 mA
Wire resistance R _{cu1} ; R _{cu2} ; R _{cu3} [mOhms]	NA - 5,7	RT = 25 °C	
HV strength between N1; N2; N3 / I _{iso} < 1mA	OK - NOK	U _{p,eff} = 2,8 kV	t = 2 s
	-		
	-		

4. Others	
Marking:	MAGNETEC MB-107-05 YM A5E 00113572 (YM = Year/Month acc. to IEC 60062 6.1.1)
Packaging:	6 pcs. per layer, 4 layers per carton box; PU = 24 pcs.
Comments:	Visit http://www.magnetec.de/fileadmin/pdf/pb_ds.pdf for further information.

Index / Rev.	Alteration	Date
--------------	------------	------

03 / 01	Core M-068; Base plate MT-013-01 v1. g=3 ; 6 cable ties	18.10.2001
04 / 02	Winding symmetry test; L1 = L2 = L3 = 6,0 ... 16,3 mH	13.03.2002
05 / 03	Wire resistance 5,7 mOhm; Packaging: 3 layers per carton box	25.03.2002
05 / 04	New format; Outer diameter <= 75mm; PU = 12 pcs.	03.08.2011
05 / 05	Packaging change	23.09.2016

Created:	Z. Palánki 23.09.2016	Approved (Techn):	F. Záborszky 06.10.2016	Approved (Quality):	L. Ferencz 06.10.2016	Released:	T. Trupp 07.10.2016
-----------------	--------------------------	------------------------------	----------------------------	--------------------------------	--------------------------	------------------	------------------------

Disclosing the specification to third parties or using its content without written permission from MAGNETEC is strictly forbidden and every offender is liable to pay the corresponding damages