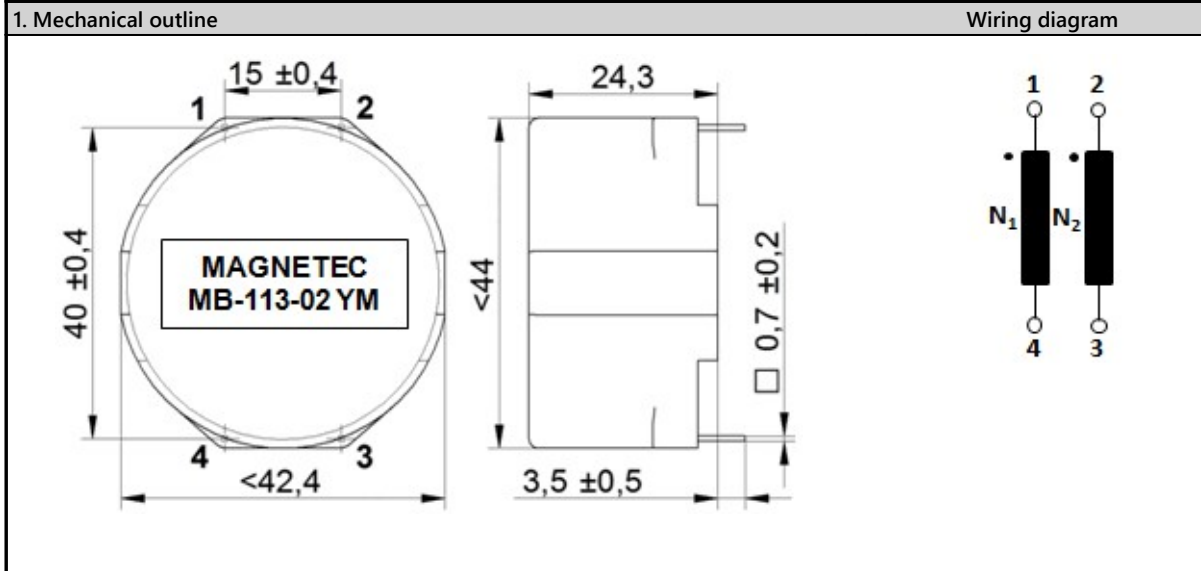




Product specification for Inductive Components

Form: MF04.07 (F190)
Revision: 01

Client:	MAGNETEC	Magnetec P/N:	MB-113	Magnetec A/N:	12121
Client's p/n:	/	PS Index:	02	PS Revision:	04
Subject:	EMC Component				



2. Nominal values			
Core material:	NANOPERM®	High voltage strength:	Up,eff = 2,5 kV
Nominal voltage:	250 Veff AC	Ambient temperature:	-40 ... +60 °C
Nominal inductance:	2 x 32 mH @ 10 kHz	Max. operating temperature:	°C
Nominal current:	5 A	Storage temperature:	-40 ... +85 °C
Leakage inductances:	ca. 20 µH	Design standard:	EN 60938-1
No. of turns:	N1 = N2 = 22	Wire diameter:	0,9 mm
Comments:			

3. Inspection values (at room temperature, unless otherwise stated)			
Measured value	Measuring limits	Measuring configurations	
Inductivity L1; L2 [mH]	18,7 - 46,2	f = 10 kHz	Ieff = 1 mA
Wire resistance Rcu1; Rcu2 [mOhms]	0 - 32	RT = 25 °C	
HV strength between N1 and N2 / Iiso < 1mA	OK - NOK	Up,eff = 2,5 kV	t = 2 s
	-		
	-		

4. Others	
Marking:	MAGNETEC MB-113-02 YM (YM = Year/Month), acc. to IEC 62 5.1
Packaging:	15 pcs. per layer, 4 layers per carton box; PU = 60 pcs.
Comments:	Visit http://www.magnetec.de/fileadmin/pdf/pb_ds.pdf for further information.

Index / Rev.	Alteration	Date
02 / 02	Product Specification	14.11.2001
02 / 03	LN format	11.03.2013
02 / 04	Drawing changed: tolerances added, PU = 60 pcs.	05.06.2013

Created:	Z. Palánki 05.06.2013	Approved (Techn):	F. Zámbořszky 07.08.2013	Approved (Quality):	J. Gulyas 12.08.2013	Released:	F. Rauscher 12.08.2013
----------	--------------------------	-------------------	-----------------------------	---------------------	-------------------------	-----------	---------------------------

Disclosing the specification to third parties or using its content without written permission from MAGNETEC is strictly forbidden and every offender is liable to pay the corresponding damages