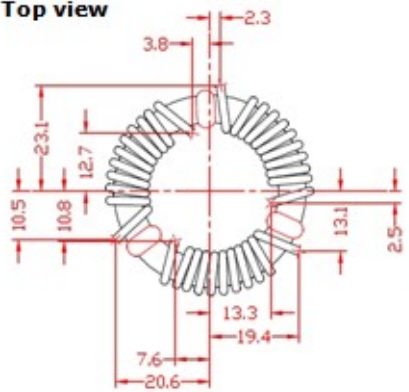
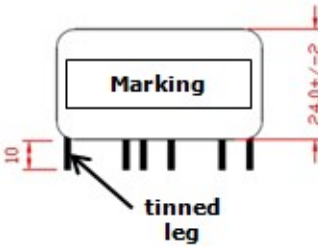
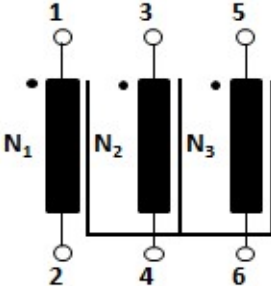


Product specification for Inductive Components

Form: MF04.07 (F190)
Revision: 01

Client:	VACON I	Magnetec P/N:	MB-123	Magnetec A/N:	12146
Client's p/n:	F/3PH-40-11/B	PS Index:	06	PS Revision:	09
Subject:	EMC Component				

1. Mechanical outline	Wiring diagram
<div style="display: flex; justify-content: space-around;"> <div style="text-align: center;"> <p>Top view</p>  </div> <div style="text-align: center;"> <p>Side view</p>  </div> <div style="text-align: center;"> <p>Wiring diagram</p>  </div> </div> <p style="margin-top: 20px;">Cable tie clip position is on the lower side of the core's inner perimeter.</p> <p>Distance between the windings: min. 4 mm.</p>	

2. Nominal values			
Core material:	NANOPERM®	High voltage strength:	2,5 kV
Nominal voltage:	460 Veff AC	Ambient temperature:	-40 ... +50 °C
Nominal inductance:	3 x > 1,8 mH	Max. operating temperature:	°C
Nominal current:	16 / 25* A	Storage temperature:	-40 ... +85 °C
Leakage inductances:	ca. 7 µH	Design standard:	EN 60938-1
No. of turns:	N1 = N2 = N3 = 11 turns	Wire diameter:	1,9 mm
Comments:	* Forced air cooling assumed		

3. Inspection values (at room temperature, unless otherwise stated)			
Measured value	Measuring limits	Measuring configurations	
Inductivity L1; L2; L3 [mH]	1,1 - NA	f = 10 kHz	Ieff = 2 mA
Wire resistance Rcu1; Rcu2; Rcu3 [mOhms]	0 - 4,2	RT = 25 °C	
HV strength between N1; N2; N3 / Iiso < 1mA	OK - NOK	Up,eff = 2,5 kV	t = 2 s
	-		
	-		

4. Others	
Marking:	MAGNETEC MB-123-06 YM (YM = production year, month)
Packaging:	12 pcs. per layer, 4 layers per carton box; PU = 48 pcs.
Comments:	Visit http://www.magnetec.de/fileadmin/pdf/pb_ds.pdf for further information.

Index / Rev.	Alteration	Date
05 / 05	Pin positions	07.07.2008
05 / 06	Pin length 10 +/-1 mm	04.11.2008
05 / 07	New cable ties T30R/HS	17.11.2009
06 / 08	Case material Ultramid A3X2G5 (UL file E41871)	11.04.2011
06 / 09	Revision: drawing change, HV strength corrected in section 2	14.05.2014

Created:	Z. Palánki 14.05.2014	Approved (Techn):	F. Záborszky 04.06.2014	Approved (Quality):	J. Gulyás 04.06.2014	Released:	T. Trupp 04.06.2014
-----------------	--------------------------	------------------------------	----------------------------	--------------------------------	-------------------------	------------------	------------------------

Disclosing the specification to third parties or using its content without written permission from MAGNETEC is strictly forbidden and every offender is liable to pay the corresponding damages