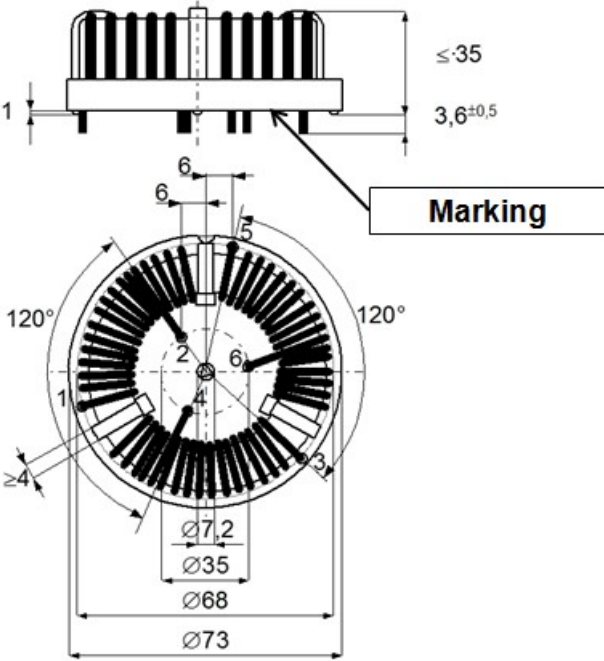
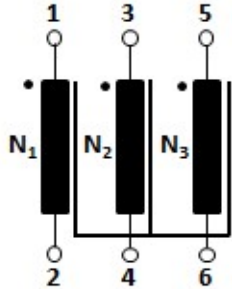


Product specification for Inductive Components

Form: MF04.07 (F190)
Revision: 01

Client:	Siemens Congleton	Magnetec P/N:	MB-125	Magnetec A/N:	12140
Client's p/n:	A5E 00139472	PS Index:	02	PS Revision:	04
Subject:	EMC Component				

<p>1. Mechanical outline</p> 	<p>Wiring diagram</p> 
--	--

2. Nominal values			
Core material:	NANOPERM®	High voltage strength:	Up,eff = 2,8 kV
Nominal voltage:	440 Veff AC	Ambient temperature:	-40 ... +60 °C
Nominal inductance:	3 x 12 mH	Max. operating temperature:	°C
Nominal current:	13 A	Storage temperature:	-40 ... +85 °C
Leakage inductances:	ca. 60 µH	Design standard:	EN 60938-1
No. of turns:	N1 = N2 = N3 = 25	Wire diameter:	2,0 mm
Comments:			

3. Inspection values (at room temperature, unless otherwise stated)			
Measured value	Measuring limits	Measuring configurations	
Inductivity L1; L2 [mH]	6,8 - 19,0	f = 10 kHz	Ieff = 1 mA
Wire resistance Rcu1; Rcu2 [mOhms]	0 - 11,0	RT = 25 °C	
HV strength between N1; N2; N3 / Iiso < 1mA	OK - NOK	Up,eff = 2,8 kV	t = 2 s
	-		
	-		

4. Others	
Marking:	MAGNETEC MB-125-02 YM A5E 00139472 (YM = Year/Month acc. to IEC 60062 6.1.1)
Packaging:	6 pcs. per layer, 4 layers per carton box; PU = 24 pcs.
Comments:	Visit http://www.magnetec.de/fileadmin/pdf/pb_ds.pdf for further information.

Index / Rev.	Alteration	Date
01 / 01	Product Specification	26.03.2003
02 / 02	New form / RoHS conformity	10.02.2009
02 / 03	Drawings updated, marking corrected	04.02.2014
02 / 04	Packaging change	30.09.2016

Created:	Z. Palánki	Approved (Techn):	F. Záborszky	Approved (Quality):	L. Ferencz	Released:	T. Trupp
	30.09.2016		06.10.2016		06.10.2016		07.10.2016

Disclosing the specification to third parties or using its content without written permission from MAGNETEC is strictly forbidden and every offender is liable to pay the corresponding damages