

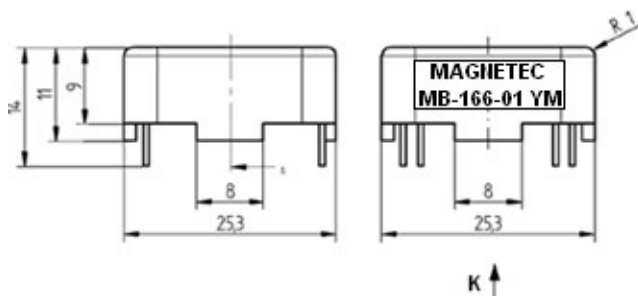
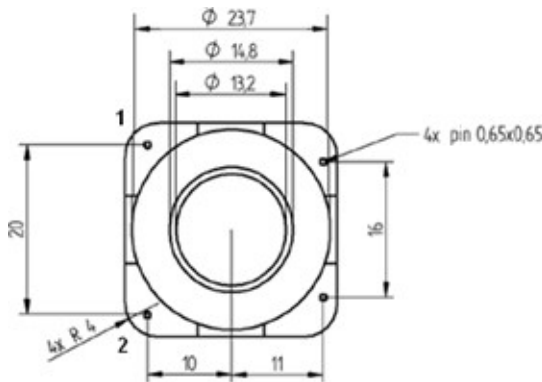


Product specification for Inductive Components

Form: MF04.07 (F190)
Revision: 01

Client:	Magnetec GmbH	Magnetec P/N:	MB-166	Magnetec A/N:	12623
Client's p/n:	/	PS Index:	01	PS Revision:	01
Subject:	CT Component				

1. Mechanical outline	Wiring diagram
-----------------------	----------------



2. Nominal values

Core material:	NANOPERM®	High voltage strength:	1,5 kV
Nominal voltage:	- Veff AC	Ambient temperature:	-40 ... +70 °C
Nominal inductance:	1 x 1,64 mH	Max. operating temperature:	°C
Nominal current:	Ip,eff = 60 A	Storage temperature:	-40 ... +85 °C
Leakage inductances:		Design standard:	-
No. of turns:	N2 = 80 turns	Wire diameter:	0,16 mm
Comments:			

3. Inspection values (at room temperature, unless otherwise stated)

Measured value	Measuring limits	Measuring configurations	
Inductivity L2 [mH]	1,35 - 1,94	f = 50 Hz	Ueff = 100 mV
Wire resistance Rcu2 [Ohms]	0 - 2	RT = 25 °C	
N2 turns	79 - 81		
	-		
	-		

4. Others

Marking:	MAGNETEC MB-166-01 YM (YW = Year/Week), acc. to IEC 62 5.2
Packaging:	40 pcs. per layer, 5 layers per carton box; PU = 200 pcs.
Comments:	Visit http://www.magnetec.de/fileadmin/pdf/pb_ds.pdf for further information.

Index / Rev.	Alteration					Date
01 / 01	Product specification					03.07.2012
Created:	Zs. Sándor 03.07.2012	Approved (Techn):	F. Zámboreszky 03.07.2012	Approved (Quality):	J. Gulyás 03.07.2012	Released: H. Dönges 03.07.2012

Disclosing the specification to third parties or using its content without written permission from MAGNETEC is strictly forbidden and every offender is liable to pay the corresponding damages