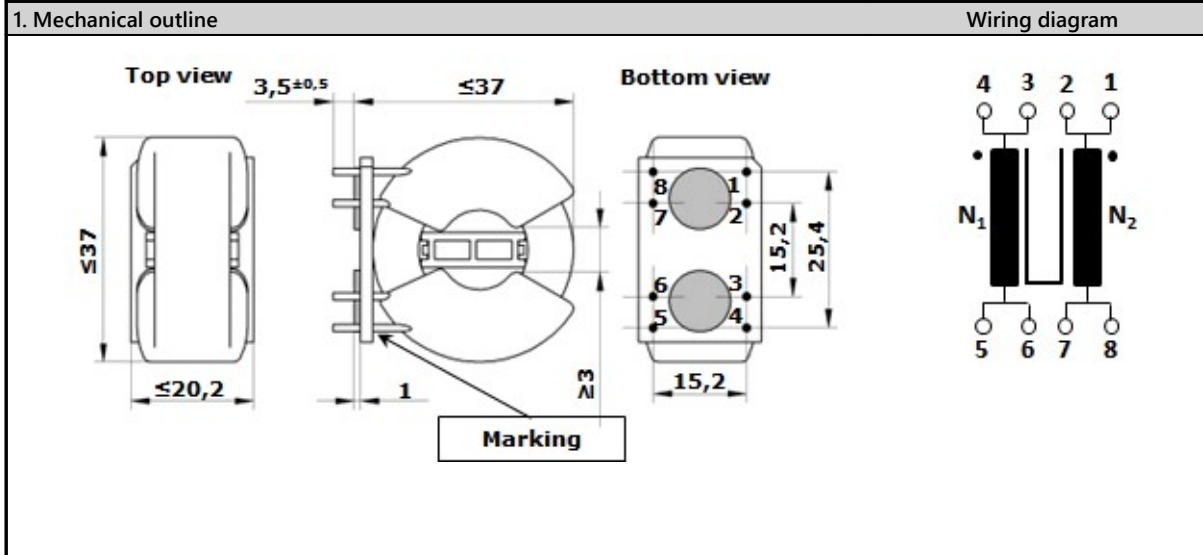


Product specification for Inductive Components

Form: MF04.07 (F190)
Revision: 01

Client:	MAGNETEC	Magnetec P/N:	MB-177	Magnetec A/N:	12207
Client's p/n:	/	PS Index:	02	PS Revision:	02
Subject:	EMC Component				



2. Nominal values			
Core material:	NANOPERM®	High voltage strength:	$U_{p,eff} = 2,5 \text{ kV}$
Nominal voltage:	250 Veff AC	Ambient temperature:	$-40 \dots +60 \text{ }^\circ\text{C}$
Nominal inductance:	$2 \times 12 \text{ mH}$	Max. operating temperature:	$^\circ\text{C}$
Nominal current:	16^* A	Storage temperature:	$-40 \dots +85 \text{ }^\circ\text{C}$
Leakage inductances:	$\sim 12 \text{ } \mu\text{H}$	Design standard:	EN 60938-1
No. of turns:	$N_1 = N_2 = 15$	Wire diameter:	$2 \times 1,12 \text{ mm}$
Comments:	* Forced cooling assumed,		

3. Inspection values (at room temperature, unless otherwise stated)			
Measured value	Measuring limits	Measuring configurations	
Inductivity L1; L2 [mH]	8,3 - 18.6	$f = 10 \text{ kHz}$	$U_{eff} = 0,1 \text{ V}$
Inductivity L1; L2 [mH]	2,1 - NA	$f = 100 \text{ kHz}$	$U_{eff} = 0,1 \text{ V}$
Wire resistance Rcu1; Rcu2 [mOhms]	0 - 8	$T = 23 \pm 3 \text{ }^\circ\text{C}$	
HV strength between N1; N2	OK - NOK	$U_{eff} = 2,5 \text{ kV}$	$t = 2 \text{ s}$
	-		

4. Others	
Marking:	MAGNETEC MB-177-02 YM (YM = Year/Month), acc. to IEC 60062 6.1.1
Packaging:	15 pcs. per layer, 3 layers per carton box; PU = 45 pcs.
Comments:	Visit http://www.magnetec.de/fileadmin/pdf/pb_ds.pdf for further information.

Index / Rev.	Alteration	Date
02 / 00	Production specification	09.09.2003
02 / 01	New format, height increased	10.01.2017
02 / 02	Packaging change	16.02.2017

Created:	Z. Palánki	Approved (Techn):	F. Zámbořszky	Approved (Quality):	G. Zsák	Released:	T. Trupp
	16.02.2017		07.04.2017		07.04.2017		07.04.2017

