

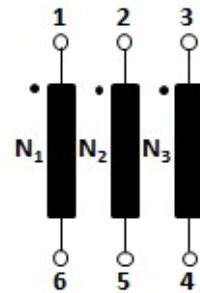
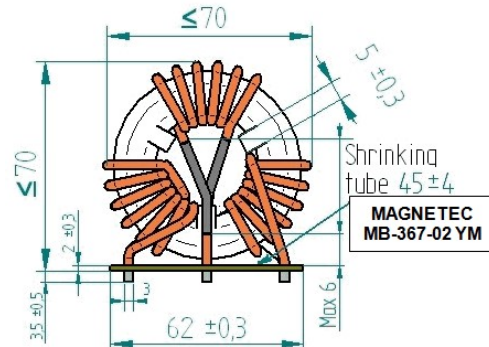
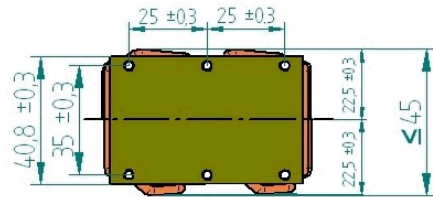


Product specification for Inductive Components

Form: MF04.07 (F190)
Revision: 01

Client:	MAGNETEC	Magnetec P/N:	MB-367	Magnetec A/N:	12534
Client's p/n:		PS Index:	02	PS Revision:	07
Subject:	EMC Component				

1. Mechanical outline	Wiring diagram
-----------------------	----------------



2. Nominal values			
Core material:	NANOPERM®	High voltage strength:	Up,eff = 2,5 kV
Nominal voltage:	440 Veff AC	Ambient temperature:	-40 ... +60 °C
Nominal inductance:	3 x 1,2 mH	Max. operating temperature:	°C
Nominal current:	3 x 40* A	Storage temperature:	-40 ... +85 °C
Leakage inductances:	~ 0,7 µH	Design standard:	EN 60938-1
No. of turns:	N1 = N2 = N3 = 7	Wire diameter:	3,0 mm
Comments:	*Forced cooling assumed		

3. Inspection values (at room temperature, unless otherwise stated)			
Measured value	Measuring limits	Measuring configurations	
Inductivity L1; L2; L3 [mH]	0,7 - 1,7	f = 10 kHz	Ueff = 100 mV AC
Wire resistance Rcu1; Rcu2; Rcu3 [mOhms]	NA - 1,8	RT = 25 °C	IDC = 10 A
HV strength between N1; N2; N3 / liso < 1mA	OK - NOK	Up,eff = 2,5 kV	t = 2 s
	-		
	-		

4. Others	
Marking:	MAGNETEC MB-367-02 YM (date of fabrication year / month)
Packaging:	6 pcs. per layer, 4 layers per carton box; PU = 24 pcs.
Comments:	Max. allowed choke surface temperature : +120°C Visit http://www.magnetec.de/fileadmin/pdf/pb_ds.pdf for further information.

Index / Rev.	Alteration	Date
02 / 05	Shrinking tube position modified	06.12.2013

02 / 06	Comment added about maximal temperature Packaging change	13.02.2014
02 / 07		30.09.2016

Created:	Z. Palánki	Approved (Techn):	F. Zámbořszky	Approved (Quality):	L. Ferencz	Released:	T. Trupp
	30.09.2016		13.10.2016		13.10.2016		13.10.2016

Disclosing the specification to third parties or using its content without written permission from MAGNETEC is strictly forbidden and every offender is liable to pay the corresponding damages