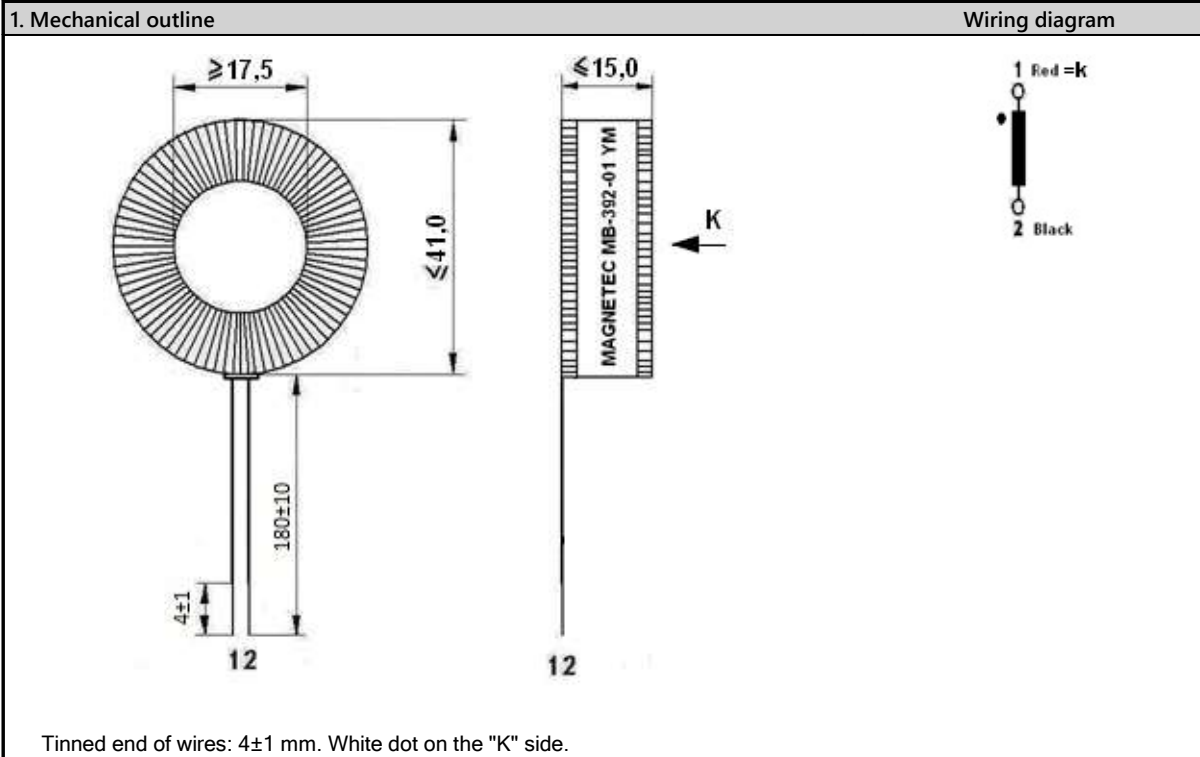


Product specification for Inductive Components

Form: MF04.07 (F190)
Revision: 01

| | | | | | |
|---------------|---------------|---------------|--------|---------------|-------|
| Client: | Magnetec GmbH | Magnetec P/N: | MB-392 | Magnetec A/N: | 12551 |
| Client's p/n: | / | PS Index: | 01 | PS Revision: | 03 |
| Subject: | CT Component | | | | |



| 2. Nominal values | | | |
|----------------------|--|-----------------------------|----------------|
| Core material: | NANOPERM® | High voltage strength: | 1,5 kV |
| Nominal voltage: | - Veff AC | Ambient temperature: | -40 ... +70 °C |
| Nominal inductance: | 1 x 2,125 H | Max. operating temperature: | °C |
| Nominal current: | I _{p,rms} = 100 A | Storage temperature: | -40 ... +85 °C |
| Leakage inductances: | | Design standard: | EN 62053-21 |
| No. of turns: | N ₂ = 2500 turns | Wire diameter: | 0,25 mm |
| Comments: | I DC peak = 100 A; Recommended R _b = 7,5 Ohm to reach U _b = 0,3 V,rms. | | |

| 3. Inspection values (at room temperature, unless otherwise stated) | | | |
|---|------------------|--------------------------|------------------------|
| Measured value | Measuring limits | Measuring configurations | |
| Inductivity L ₂ [H] | 1,85 - 2,40 | f = 50 Hz | U _{eff} = 1 V |
| Wire resistance R _{cu2} [Ohms] | 0 - 32 | RT = 25 °C | |
| N ₂ turns | 2475 - 2525 | | |
| | - | | |
| | - | | |

| 4. Others | |
|------------|--|
| Marking: | MAGNETEC MB-392-01 YM (Y = Production year / M = Production month) |
| Packaging: | 24 pcs. per layer, 4 layers per carton box; PU = 96 pcs. |
| Comments: | Visit http://www.magnetec.de/fileadmin/pdf/pb_ds.pdf for further information. |

| | | |
|--------------|------------|------|
| Index / Rev. | Alteration | Date |
|--------------|------------|------|

| | | |
|---------|---------------------------------|------------|
| 01 / 01 | Product specification | 29.04.2011 |
| 01 / 02 | Wire length and position change | 16.07.2014 |
| 01 / 03 | Packaging unit change | 20.10.2014 |

| | | | | | | | |
|----------|------------|-------------------|----------------|---------------------|------------|-----------|------------|
| Created: | D. Tóth | Approved (Techn): | F. Zámboorszky | Approved (Quality): | J. Gulyás | Released: | H. Doenges |
| | 20.10.2014 | | 10.11.2014 | | 10.11.2014 | | 10.11.2014 |

Disclosing the specification to third parties or using its content without written permission from MAGNETEC is strictly forbidden and every offender is liable to pay the corresponding damages