

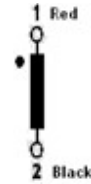
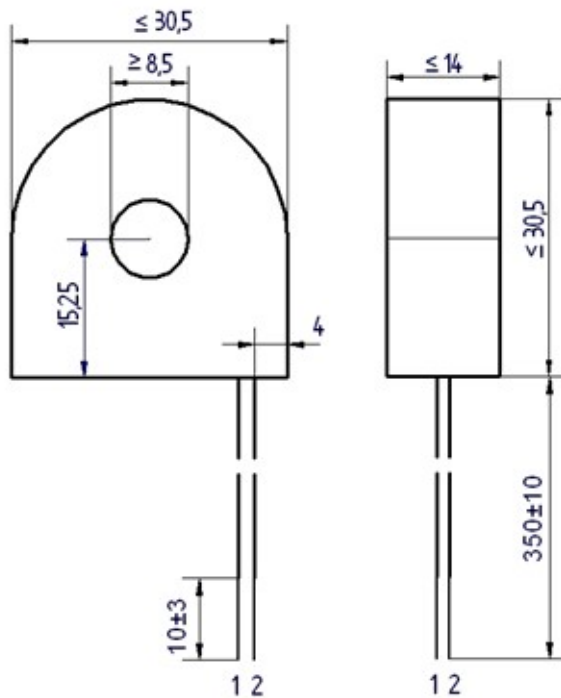
Product specification for Inductive Components

Form: MF04.07 (F190)
Revision: 01

Client:	Magnetec GmbH	Magnetec P/N:	MB-475	Magnetec A/N:	53126
Client's p/n:	/	PS Index:	01	PS Revision:	02
Subject:	CT Component				

1. Mechanical outline

Wiring diagram



Tinned wire ends: 10±3 mm.

2. Nominal values

Core material:	NANOPERM®	High voltage strength:	1,5 kV
Nominal voltage:	- Veff AC	Ambient temperature:	-40 ... +85 °C
Nominal inductance:	1 x 2,9 H	Max. operating temperature:	°C
Nominal current:	Ip = 60 A	Storage temperature:	-40 ... +85 °C
Leakage inductances:		Design standard:	EN 62053-21
No. of turns:	N2 = 2500 turns	Wire diameter:	mm
Comments:	I DC peak = 60 A; Recommended Rb = 12,5 Ohm to reach Ub = 0,3 V,rms. Type test: Up,eff = 4,5 kV, 1 min		

3. Inspection values (at room temperature, unless otherwise stated)

Measured value	Measuring limits	Measuring configurations	
Inductivity L2 [H]	2,5 - 3,3	f = 50 Hz	Ueff = 1V
Wire resistance Rcu2 [Ohms]	0 - 65	RT = 25 °C	
N2 turns	2475 - 2525		
	-		
	-		

4. Others

Marking:	none
----------	------

Packaging:	28 pcs. per layer, 5 layers per carton box; PU = 140 pcs.
Comments:	This specification defines an internal WANDLERPLUS level: a semifinished part before final resin moulding workstep. Visit http://www.magnetec.de/fileadmin/pdf/pb_ds.pdf for further information.

Index / Rev.	Alteration	Date
01 / 01	Product specification	08.09.2010
01 / 02	PU change, add to comments	29.11.2010

Created:	Zs. Sándor	Approved (Techn):	G. Berta	Approved (Quality):	V. Káposztas	Released:	F. Zámberszky
	29.11.2010		29.11.2010		29.11.2010		29.11.2010

Disclosing the specification to third parties or using its content without written permission from MAGNETEC is strictly forbidden and every offender is liable to pay the corresponding damages