

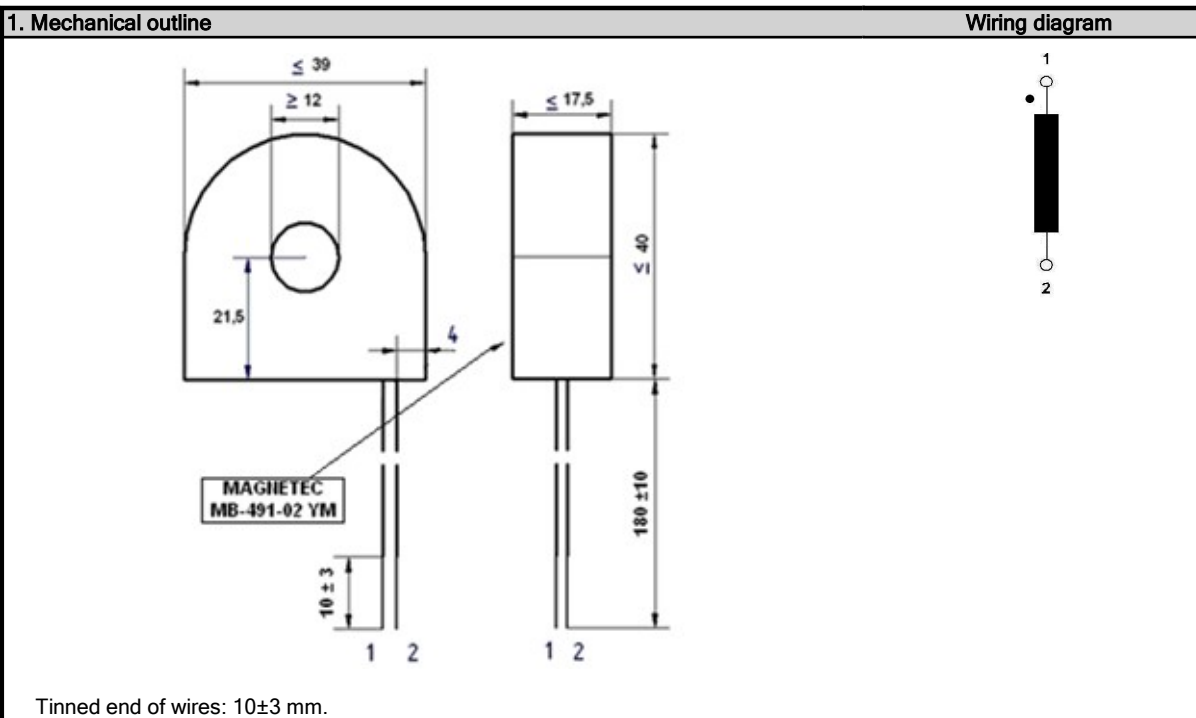
FORM F 190
Revision: 01
Page: 1/1

Product specification
for Inductive Components

MAGNETEC GmbH
Industriestrasse 7
D-63505 Langenselbold

Client:	MAGNETEC GmbH	Magnetec P/N:	MB-491	Magnetec A/N:	
Client's p/n:	/	PS Index:	02S	PS Revision:	01
Subject:	CT Component				

Preliminary datasheet: This document is strictly confidential! It is subject to change without prior notice!



2. Nominal values			
Core material:	NANOPERM®	High voltage strength:	-
Nominal voltage:	- U_{eff} AC	Ambient temperature:	-40 ... +70 °C
Nominal inductance:	1 x 1,75 H	Max. operating temperature:	°C
Nominal current:	$I_p, rms = 120$ A	Storage temperature:	-40 ... +85 °C
Leakage inductances:		Design standard:	EN 62053-21
No. of turns:	N2 = 2500 turns	Wire diameter:	mm
Comments:	I DC peak = 120 A; Recommended $R_b = 6,25$ Ohm to reach $U_b = 0,3$ V,rms.		

3. Inspection values (at room temperature, unless otherwise stated)			
Measured value	Measuring limits	Measuring configurations	
Inductivity L2 [H]	1,61 - 1,91	f = 1 kHz	$U_{eff} = 1$ V
Wire resistance Rcu2 [Ohms]	0 - 45	RT = 25 °C	
N2 turns	2475 - 2525		
	-		
	-		

4. Others	
Marking:	MAGNETEC MB-491-02 YM (Y = Production year / M = Production month)
Packaging:	15 pcs. per layer, 5 layers per carton box; PU = 75 pcs.
Comments:	Visit http://www.magnetec.de/fileadmin/pdf/pb_ds.pdf for further information.

Index / Rev.	Alteration	Date
02S / 01	Preliminary specification	14.07.2010

Created:	Zs. Sándor 14.07.2010	Approved (Techn):		Approved (Quality):		Released:	
----------	--------------------------	-------------------	--	---------------------	--	-----------	--

Disclosing the specification to third parties or using its content without written permission from MAGNETEC is strictly forbidden and every offender is liable to pay the corresponding damages