



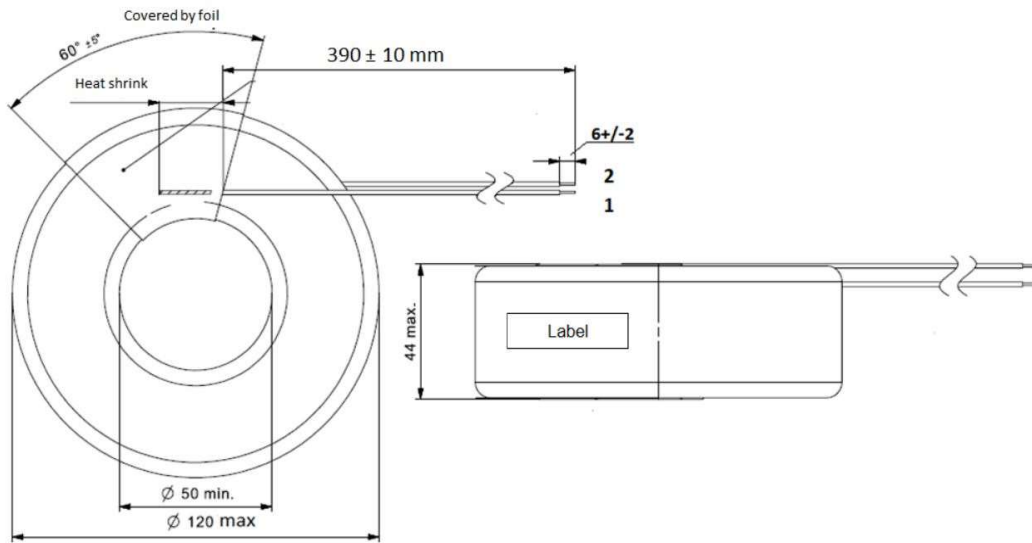
## Product specification for Inductive Components

Form: MF04.07 (F190)  
Revision: 01

Client:	MAGNETEC	Magnetec P/N:	MB-502	Magnetec A/N:	12893
Client's p/n:	-	PS Index:	03	PS Revision:	02
Subject:	CT Component				

### 1. Mechanical outline

Wiring diagram



Nominal bare core size: 101x78x16mm

### 2. Nominal values

Core material:	NANOPERM®	High voltage strength:	
Nominal voltage:		Operating temperature:	-30 ...125 °C
Nominal inductance:	75 x H	Max. operating temperature:	°C
Nominal current:		Storage temperature:	-20 ... +85 °C
Leakage inductances:		Design standard:	N/A
No. of turns:	N = 2000	Wire diameter:	0,85 mm
Comments:			

### 3. Inspection values (at room temperature, unless otherwise stated)

Measured value	Measuring limits	Measuring configurations	
Inductivity L1 [H]	50 - 110	f = 50 Hz	Utrms = 10 V
Wire resistance Rcu [Ohms]	5 - 6	RT = 23 °C	
Number of turns	1985 - 2015		
	-		
	-		

### 4. Others

Marking:	Magnetec MB-502-03 YYMM XXXXX
Packaging:	2 pcs. per layer, 2 layers per carton box; PU = 4 pcs.
Comments:	Label with date code (YYMM = Year/Month) and serial number (XXXXX). Visit <a href="http://www.magnetec.de/fileadmin/pdf/pb_ds.pdf">http://www.magnetec.de/fileadmin/pdf/pb_ds.pdf</a> for further information.

Index / Rev.	Alteration		Date
03 / 01	First issue		24.10.2018
03 / 02	Product label is introduced		21.10.2020

<b>Created:</b>	I. Váradi 21.10.2020	<b>Approved (Techn):</b>	D. Seres 25.01.2021	<b>Approved (Quality):</b>	Sz. Ilcsik 05.11.2020	<b>Released:</b>	D. Tóth 01.02.2021
-----------------	-------------------------	------------------------------	------------------------	--------------------------------	--------------------------	------------------	-----------------------

Disclosing the specification to third parties or using its content without written permission from MAGNETEC is strictly forbidden and every offender is liable to pay the corresponding damages