

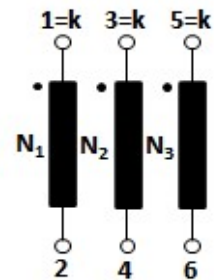
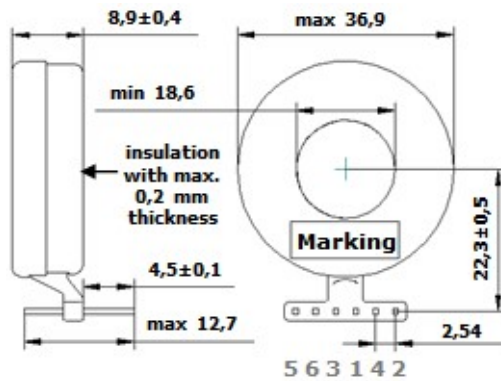


Product specification for Inductive Components

Form: MF04.07 (F190)
Revision: 01

Client:	Magnetec	Magnetec P/N:	MB-599	Magnetec A/N:	12936
Client's p/n:	/	PS Index:	01	PS Revision:	01
Subject:	CT Component				

1. Mechanical outline	Wiring diagram
-----------------------	----------------



Non-marked tolerance according to ISO 2768 - m
0,64 x 0,64mm gold plated pins
(Overlapping of shielding: ~3,3mm, airgap: ~1mm - for information only)

2. Nominal values			
Core material:	NANOPERM®	High voltage strength:	0,5 kV (type test)
Nominal voltage:		Ambient temperature:	-40 ... +85 °C
Nominal inductance:	2 x 250 mH	Max. operating temperature:	°C
Nominal current:		Storage temperature:	-40 ... +85 °C
Leakage inductances:		Design standard:	
No. of turns:	N1=N2=100 N3=20	Wire diameter:	0,14 mm
Comments:			

3. Inspection values (at room temperature, unless otherwise stated)			
Measured value	Measuring limits	Measuring configurations	
Inductivity L1; L2 (RT=25 °C) [mH]	190 - 310	f = 50 Hz	Urms = 100 mV
Wire resistance Rcu1; Rcu2 (RT=25 °C) [Ohms]	2,5 - 3,5		
Number of turns N1; N2 [turns]	100 + / - 0		
Number of turns N3 [turns]	20 + / - 0		
	-		

4. Others	
Marking:	Label, content: "MAGNETEC MB-599-01 YM" YM = Year/Month, acc. to IEC 60062:2004 6.1.1
Packaging:	30 pcs. per layer, 5 layers per carton box; PU = 150 pcs.
Comments:	Typical tolerance at the operating temperature range compared to the room temperature inspection values: L(temp) = L(25°C) +20/-15 % / Rcu(temp) = Rcu(25°C) ±25% / f(temp) = f(25°C) ±5% Visit http://www.magnetec.de/fileadmin/pdf/pb_ds.pdf for further information.

Index / Rev.	Alteration	Date
01 / 01	First issue	18.08.2020

Created:	Z. Palánki 18.08.2020	Approved (Techn):	F. Záborszky 04.09.2020	Approved (Quality):	G. Zsák 18.08.2020	Released:	D. Tóth 04.09.2020
-----------------	--------------------------	------------------------------	----------------------------	--------------------------------	-----------------------	------------------	-----------------------

Disclosing the specification to third parties or using its content without written permission from MAGNETEC is strictly forbidden and every offender is liable to pay the corresponding damages