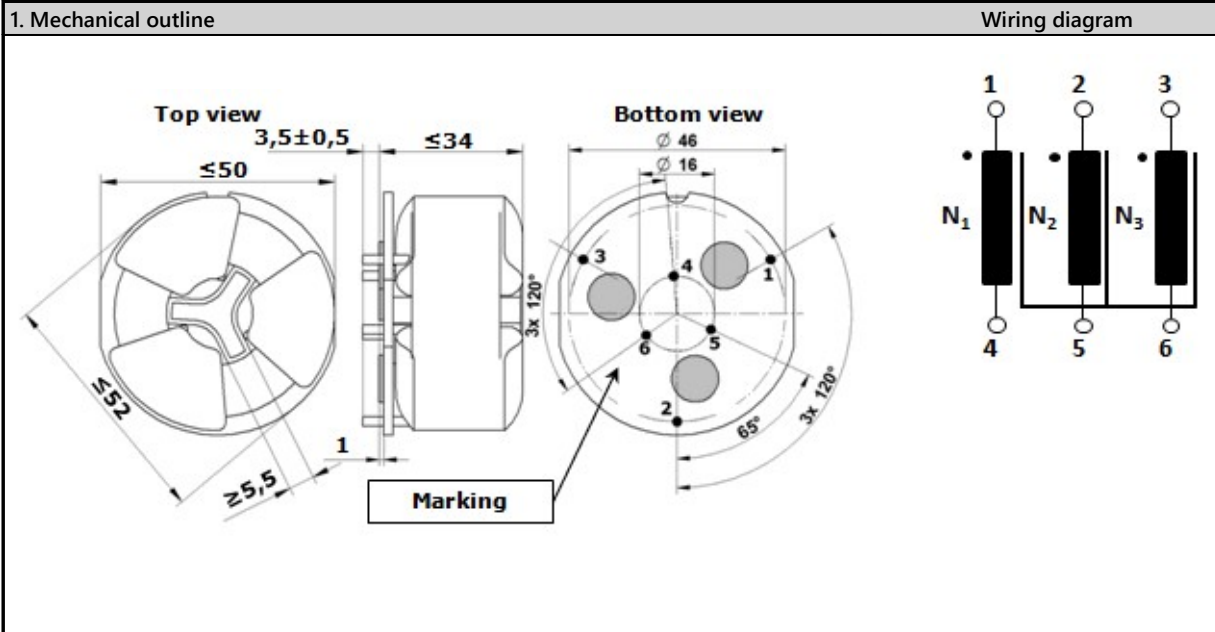


Product specification for Inductive Components

Form: MF04.07 (F190)
Revision: 01

Client:	MAGNETEC	Magnetec P/N:	MB-617	Magnetec A/N:	12717
Client's p/n:	/	PS Index:	01	PS Revision:	02
Subject:	EMC Component				



2. Nominal values			
Core material:	NANOPERM®	High voltage strength:	Up,eff = 2,5 kV
Nominal voltage:	600 Veff AC	Ambient temperature:	-40 ... +70 °C
Nominal inductance:	3 x 11 mH	Max. operating temperature:	°C
Nominal current:	16 A	Storage temperature:	-40 ... +85 °C
Leakage inductances:	ca. 9 µH	Design standard:	
No. of turns:	N1 = N2 = N3 = 10	Wire diameter:	1,8 mm
Comments:			

3. Inspection values (at room temperature, unless otherwise stated)			
Measured value	Measuring limits	Measuring configurations	
Inductivity L1; L2; L3 [mH]	7 - 14,8	f=10 kHz	Ieff=2 mA
Inductivity L1; L2; L3 [mH]	1,6 - 3,7	f=100 kHz	Ieff=2 mA
Wire resistance Rcu1; Rcu2; Rcu3 [mOhms]	0 - 6	T = 23±3 °C	
HV strength between N1; N2; N3 / Iiso<1mA	OK - NOK	Up,eff = 2,5 kV	t=2 s
	-		

4. Others	
Marking:	MAGNETEC MB-617-01 YM (YM = Year/Month), acc. to IEC 60062 6.1.1
Packaging:	9 pcs. per layer, 4 layers per carton box; PU = 36 pcs.
Comments:	Visit http://www.magnetec.de/fileadmin/pdf/pb_ds.pdf for further information.

Index / Rev.	Alteration	Date
01 / 01	First issue	11.03.2015
01 / 02	Packaging change	11.02.2019

Created:	Z. Palánki	Approved	F. Zámbořszky	Approved	R. Montvai	Released:	B. Kessler
----------	------------	----------	---------------	----------	------------	-----------	------------

	11.02.2019	(Techn):	10.04.2019	(Quality):	12.02.2019		11.04.2019
--	------------	----------	------------	------------	------------	--	------------

Disclosing the specification to third parties or using its content without written permission from MAGNETEC is strictly forbidden and every offender is liable to pay the corresponding damages