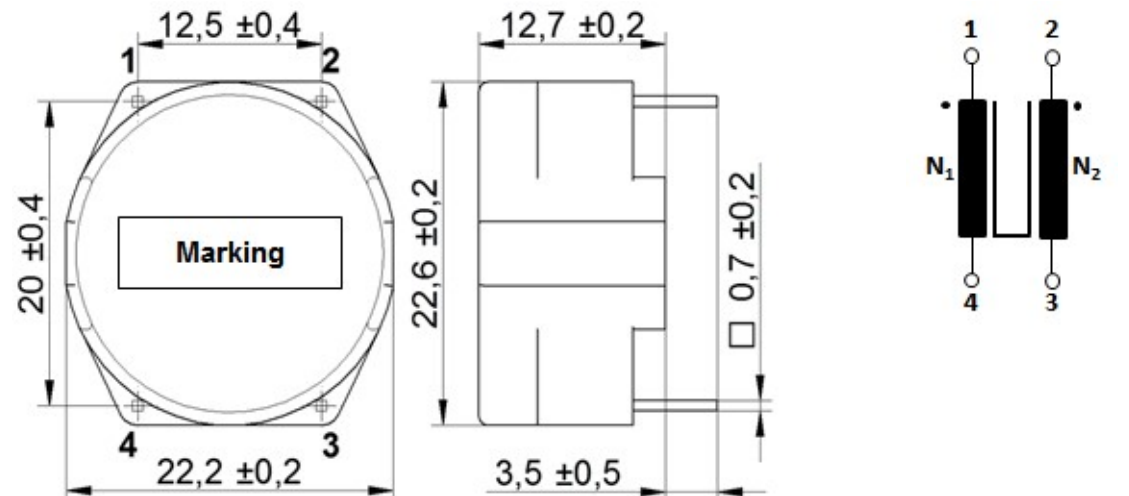


Product specification for Inductive Components

Form: MF04.07 (F190)
Revision: 01

Client:	MAGNETEC	Magnetec P/N:	MB-618	Magnetec A/N:	12739
Client's p/n:	/	PS Index:	01	PS Revision:	03
Subject:	EMC Component				

1. Mechanical outline	Wiring diagram
	
<p>Minimal creepage distance is 3 mm, minimal clearance distance is 2,5 mm.</p>	

2. Nominal values			
Core material:	NANOPERM®	High voltage strength:	U _{p,eff} = 2,5 kV
Nominal voltage:	250 V _{eff} AC	Ambient temperature:	-40 ... +70 °C
Nominal inductance:	2 x 5 mH	Max. operating temperature:	°C
Nominal current:	4,5 A	Storage temperature:	-40 ... +85 °C
Leakage inductances:	ca. 5 µH	Design standard:	EN 60938-1
No. of turns:	N ₁ = N ₂ = 12	Wire diameter:	0,63 mm
Comments:			

3. Inspection values (at room temperature, unless otherwise stated)			
Measured value	Measuring limits	Measuring configurations	
Inductivity L1; L2 [mH]	3,32 - 7,40	f = 10 kHz	U _{eff} = 0,1 V
Inductivity L1; L2 [mH]	1,05 - NA	f = 100 kHz	U _{eff} = 0,1 V
Wire resistance R _{cu1} ; R _{cu2} [mOhms]	0 - 23	T = 23±3 °C	
HV strength between N1; N2 / I _{iso} < 1mA	OK - NOK	U _{eff} = 2,5 kV	t = 2 s
	-		

4. Others	
Marking:	MAGNETEC MB-618-01 YM (YM = Year/Month), acc. to IEC 60062 6.1.1
Packaging:	60 pcs. per layer, 5 layers per carton box; PU = 300 pcs.
Comments:	Visit http://www.magnetec.de/fileadmin/pdf/pb_ds.pdf for further information.

Index / Rev.	Alteration	Date
01 / 01	First issue	16.06.2015
01 / 02	Minimal creepage and clearance distance given on the datasheet	09.07.2015
01 / 03	New Corporate Identity	16.07.2021

Created:	E. Celan 16.07.2021	Approved (Techn):	A. Osipov 16.07.2021	Approved (Quality):	V. Coceban 02.11.2021	Released:	B. Kessler 10.12.2021
----------	------------------------	----------------------	-------------------------	------------------------	--------------------------	-----------	--------------------------

Disclosing the specification to third parties or using its content without written permission from MAGNETEC is strictly forbidden and every offender is liable to pay the corresponding damages