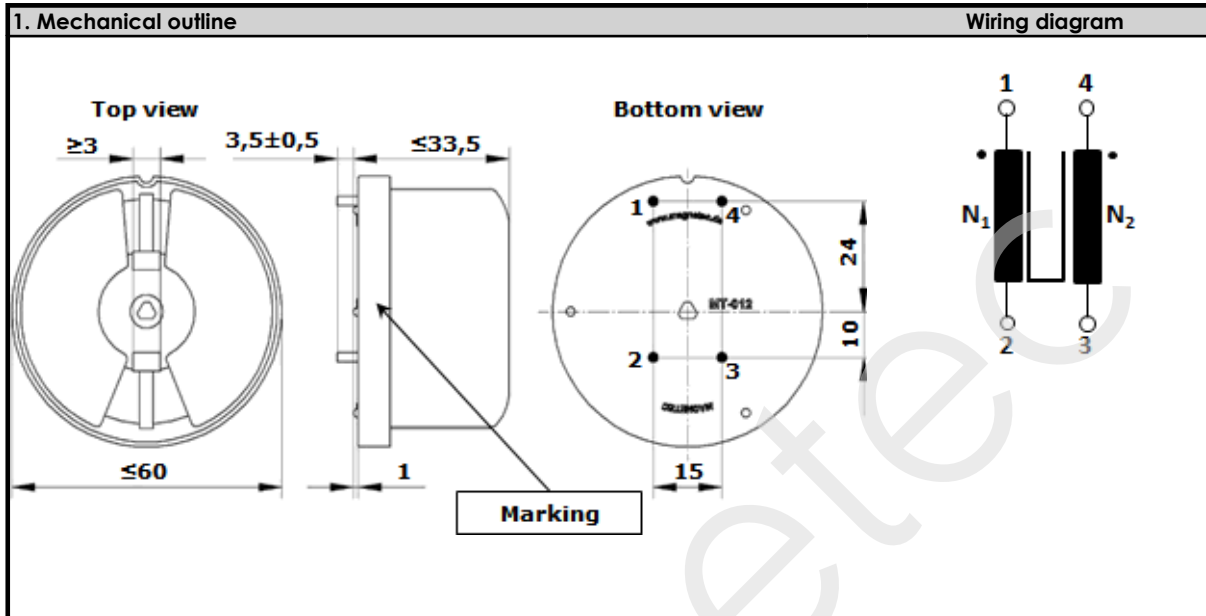


CONFIDENTIAL - Reproduction, publication and dissemination of this publication, enclosures hereto and the information contained therein is prohibited without MAGNETEC's prior written consent.

| | | | | |
|----------------------|----------------------|----------------------|---------------|------------------------|
| Client: | MAGNETEC | Magnetec P/N: | MB-620 | |
| Client's p/n: | / | PS Index: | 01 | PS Revision: 01 |
| Subject: | EMC Component | | | |



| 2. Nominal values | | | |
|----------------------|---------------------|-----------------------------|------------------------|
| Core material: | NANOPERM® | High voltage strength: | Up,eff = 2,5 kV |
| Nominal voltage: | 250 Veff AC | Ambient temperature: | -40 ... +70 °C |
| Nominal inductance: | 2 x 35 mH | Max. operating temperature: | °C |
| Nominal current: | 19 A | Storage temperature: | -40 ... +85 °C |
| Leakage inductances: | ~ 25 µH | Design standard: | EN 60938-1 |
| No. of turns: | N1 = N2 = 18 | Wire diameter: | 2 mm |
| Comments: | | | |

| 3. Inspection values (at room temperature, unless otherwise stated) | | | |
|---------------------------------------------------------------------|--------------------|--------------------------|---------------------|
| Measured value | Measuring limits | Measuring configurations | |
| Inductivity L1; L2 [mH] | 22,3 - 49,6 | f = 10 kHz | Ueff = 0,1 V |
| Inductivity L1; L2 [mH] | 7,1 - NA | f = 100 kHz | Ueff = 0,1 V |
| Wire resistance Rcu1; Rcu2 [mOhms] | 0 - 7,5 | T = 23±3°C | |
| HV strength between N1; N2 / Iiso<1mA | OK - NOK | Ueff = 2,5 kV | t = 2 s |
| | - | | |

| 4. Others | |
|------------|--------------------------------------------------------------------------------------------------------------------------------------------|
| Marking: | MAGNETEC MB-620-01 YM (YM = Year/Month), acc. to IEC 60062 6.1.1 |
| Packaging: | 12 pcs. per layer, 2 layers per carton box; PU = 24 pcs. |
| Comments: | Visit http://www.magnetec.de/fileadmin/pdf/pb_ds.pdf for further information. |

| Index / Rev. | Alteration | Date |
|--------------|-------------|------------|
| 01 / 01 | First issue | 07.06.2016 |

| | | | | | | | |
|-----------------|------------------------|--------------------------|--------------------------|----------------------------|--------------------------|------------------|------------------------|
| Created: | M. Pádár 07.06.2016 | Approved (Techn): | Z. Palánki 09.08.2016 | Approved (Quality): | L. Ferencz 09.08.2016 | Released: | T. Trupp 09.08.2016 |
|-----------------|------------------------|--------------------------|--------------------------|----------------------------|--------------------------|------------------|------------------------|

CONFIDENTIAL - Reproduction, publication and dissemination of this publication, enclosures hereto and the information contained therein is prohibited without MAGNETEC's prior written consent. Disclosing the specification to third parties or using its content without written permission from MAGNETEC is strictly forbidden and every offender is liable to pay the corresponding damages.