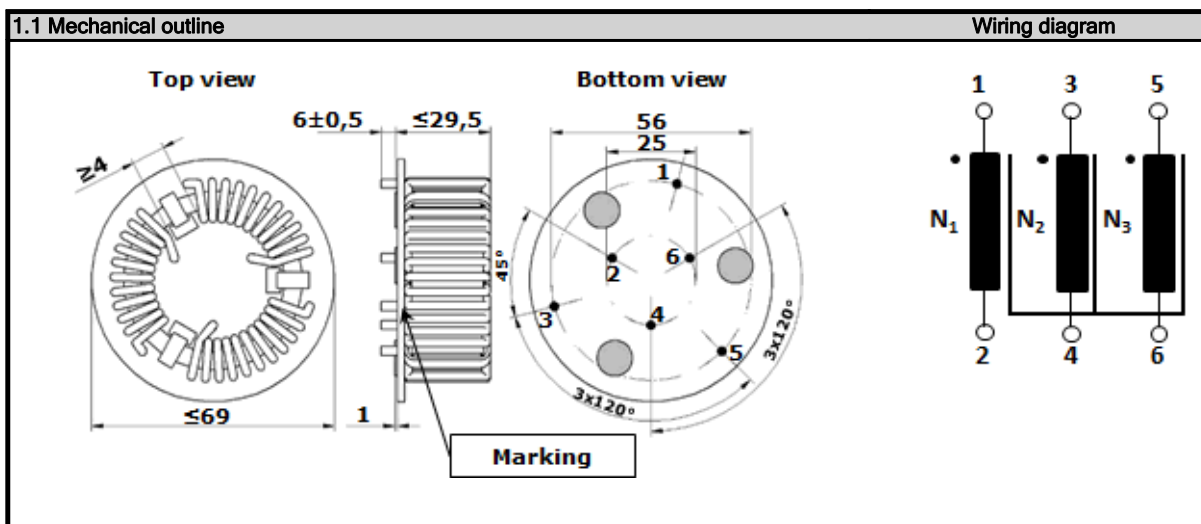


FORM Identifier: F 190 Revision: 02 Page: 1/1	Product specification for Inductive Components	MAGNETEC GmbH Industriestrasse 7 D-63505 Langenselbold
--	---	---

Client: MAGNETEC	Magnetec P/N: MB-652	Magnetec A/N: 12812
Client's p/n: /	PS Index: 01	PS Revision: 01
Subject: EMC Component	Type:	



2. Nominal values			
Core material:	NANOPERM®	Wire Resistance:	$\leq 7,9$ mOhms
Nominal voltage:	440 V_{eff} AC	High voltage strength:	U_{p,eff} = 2,5 kV
Nominal inductance:	3 x 3 mH	Operating temperature:	-40 ... +70 °C
Nominal current:	17 A	Storage temperature:	-40 ... +85 °C
Leakage inductances:	ca. 30 μH	Design standard:	EN 60938-1
No. of turns:	N1 = N2 = N3 = 18	Wire diameter:	1,8 mm
Comments:			

3. Inspection values			
	Measured value	Measuring limits	Measuring configurations
	Inductivity L 1; L2; L3 [mH]	2,1 - 4,6	f = 10 kHz U _{eff} = 0,1 V
	Inductivity L 1; L2; L3 [mH]	1,6 - NA	f = 100 kHz U _{eff} = 0,1 V
	Wire resistance R _{cu} 1; R _{cu} 2; R _{cu} 3 [mOhms]	0 - 7,9	T = 23 \pm 3°C
	HV strength between N 1; N2; N3 / liso <math>< 1</math>mA	OK - NOK	U _{eff} = 2,5 kV t = 2 s
		-	

4. Others	
Marking:	MAGNETEC MB-652-01 YM (YM = Year/Month), acc. to IEC 60062 6.1.1
Packaging:	6 pcs. per layer, 4 layers per carton box; PU = 24 pcs.
Comments:	

Index / Rev.	Alteration	Date
01 / 01	First issue	21.07.2016

Created:	M. Pádár	Approved (Techn):	F. Zámberszky	Approved (Quality):	L. Ferencz	Released:	P. Seiz
	21.07.2016		12.09.2016		12.09.2016		16.09.2016

