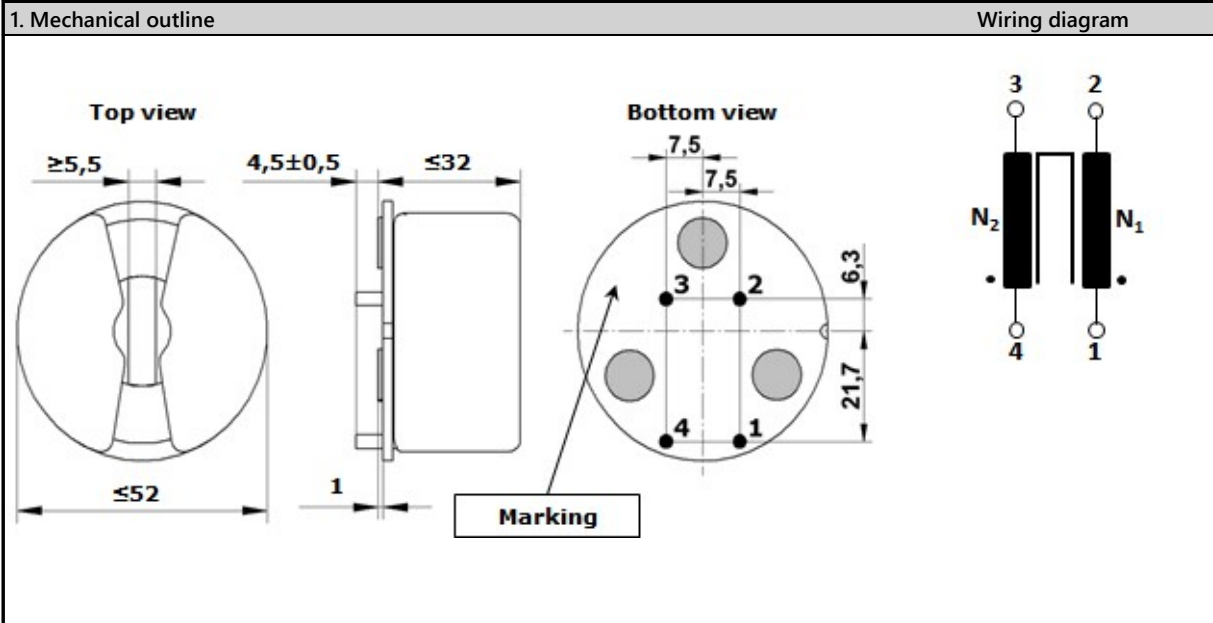




## Product specification for Inductive Components

Form: MF04.07 (F190)  
Revision: 01

|               |               |               |        |               |       |
|---------------|---------------|---------------|--------|---------------|-------|
| Client:       | MAGNETEC      | Magnetec P/N: | MB-740 | Magnetec A/N: | 12777 |
| Client's p/n: | /             | PS Index:     | 03     | PS Revision:  | 02    |
| Subject:      | EMC Component |               |        |               |       |



| 2. Nominal values    |                       |                             |  |
|----------------------|-----------------------|-----------------------------|--|
| Core material:       | NANOPERM®             | High voltage strength:      | $U_{p,eff} = 2,5 \text{ kV}$           |
| Nominal voltage:     | 600 Veff AC           | Ambient temperature:        | $-40 \dots +70 \text{ }^\circ\text{C}$ |
| Nominal inductance:  | 2 x 3,6 mH            | Max. operating temperature: | $^\circ\text{C}$                       |
| Nominal current:     | 40 A                  | Storage temperature:        | $-40 \dots +85 \text{ }^\circ\text{C}$ |
| Leakage inductances: | ca. 3,2 $\mu\text{H}$ | Design standard:            |  |
| No. of turns:        | $N_1 = N_2 = 6$       | Wire diameter:              | 2,65 mm                                |
| Comments:            |                       |                             |  |

| 3. Inspection values (at room temperature, unless otherwise stated) |                  |                                       |                           |
|---|------------------|---------------------------------------|---------------------------|
| Measured value  | Measuring limits | Measuring configurations              |                           |
| Inductivity L1; L2 [mH]   | 2,3 - 5,2        | f = 10 kHz                            | $U_{eff} = 0,1 \text{ V}$ |
| Inductivity L1; L2 [mH]   | 0,57 - NA        | f = 100 kHz                           | $U_{eff} = 0,1 \text{ V}$ |
| Wire resistance Rcu1; Rcu2 [mOhms]                                  | 0 - 1,4          | T = $23 \pm 3 \text{ }^\circ\text{C}$ |                           |
| HV strength between N1; N2 / Iiso < 1mA                             | OK - NOK         | $U_{eff} = 2,5 \text{ kV}$            | t = 2 s                   |
|   | -                |                                       |                           |

| 4. Others  |  |
|------------|--|
| Marking:   | MAGNETEC MB-740-03 YM (YM = Year/Month), acc. to IEC 60062 6.1.1   |
| Packaging: | 12 pcs. per layer, 3 layers per carton box; PU = 36 pcs.   |
| Comments:  | Visit <a href="http://www.magnetec.de/fileadmin/pdf/pb_ds.pdf">http://www.magnetec.de/fileadmin/pdf/pb_ds.pdf</a> for further information. |

| Index / Rev. | Alteration                  | Date       |
|--------------|-----------------------------|------------|
| 03 / 01      | First issue                 | 29.03.2016 |
| 03 / 02      | Wiring diagram modification | 22.08.2018 |

|          |            |          |              |          |            |           |         |
|----------|------------|----------|--------------|----------|------------|-----------|---------|
| Created: | Z. Palánki | Approved | F. Zámbořský | Approved | R. Montvai | Released: | P. Seiz |
|----------|------------|----------|--------------|----------|------------|-----------|---------|

|  |            |          |            |            |            |  |            |
|--|------------|----------|------------|------------|------------|--|------------|
|  | 22.08.2018 | (Techn): | 23.08.2018 | (Quality): | 27.08.2018 |  | 29.08.2018 |
|--|------------|----------|------------|------------|------------|--|------------|

Disclosing the specification to third parties or using its content without written permission from MAGNETEC is strictly forbidden and every offender is liable to pay the corresponding damages