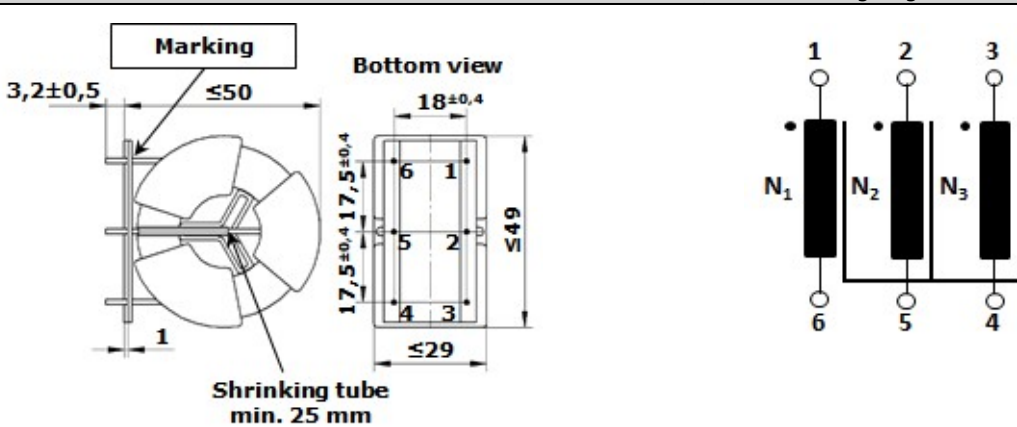


Product specification for Inductive Components

Form: MF04.07 (F190)
Revision: 01

Client:	MAGNETEC	Magnetec P/N:	MB-831	Magnetec A/N:	12837
Client's p/n:	/	PS Index:	01	PS Revision:	02
Subject:	EMC Component				

1. Mechanical outline	Wiring diagram
	

2. Nominal values			
Core material:	NANOPERM®	High voltage strength:	U _{p,eff} = 4 kV
Nominal voltage:	480 V _{eff} AC	Ambient temperature:	-40 ... +70 °C
Nominal inductance:	3 x 4,5 mH	Max. operating temperature:	°C
Nominal current:	7,5 A	Storage temperature:	-40 ... +85 °C
Leakage inductances:	ca. 47 µH	Design standard:	EN 60938-1
No. of turns:	N ₁ = N ₂ = N ₃ = 23	Wire diameter:	1,25 mm
Comments:			

3. Inspection values (at room temperature, unless otherwise stated)			
Measured value	Measuring limits	Measuring configurations	
Inductivity L1; L2; L3 [mH]	2,90 - 6,36	f = 10 kHz	U _{eff} = 0,1 V
Inductivity L1; L2; L3 [mH]	2,45 - NA	f = 100 kHz	U _{eff} = 0,1 V
Wire resistance R _{cu1} ; R _{cu2} ; R _{cu3} [mOhms]	0 - 24	T = 23±3 °C	
HV strength between N1; N2; N3 / I _{iso} < 1mA	OK - NOK	U _{eff} = 4 kV	t = 2 s
	-		

4. Others	
Marking:	MAGNETEC MB-831-01 YM (YM = Year/Month), acc. to IEC 60062 6.1.1
Packaging:	12 pcs. per layer, 4 layers per carton box; PU = 48 pcs.
Comments:	Max. allowed choke surface temperature : +120°C Visit http://www.magnetec.de/fileadmin/pdf/pb_ds.pdf for further information.

Index / Rev.	Alteration	Date
01 / 01	First issue	22.05.2017
01 / 02	Comment added about maximal temperature	24.07.2017

Created:	Z. Palánki 24.07.2017	Approved (Techn):	F. Zámbořszky 28.07.2017	Approved (Quality):	G. Zsák 28.07.2017	Released:	T. Trupp 28.07.2017
----------	--------------------------	-------------------	-----------------------------	---------------------	-----------------------	-----------	------------------------