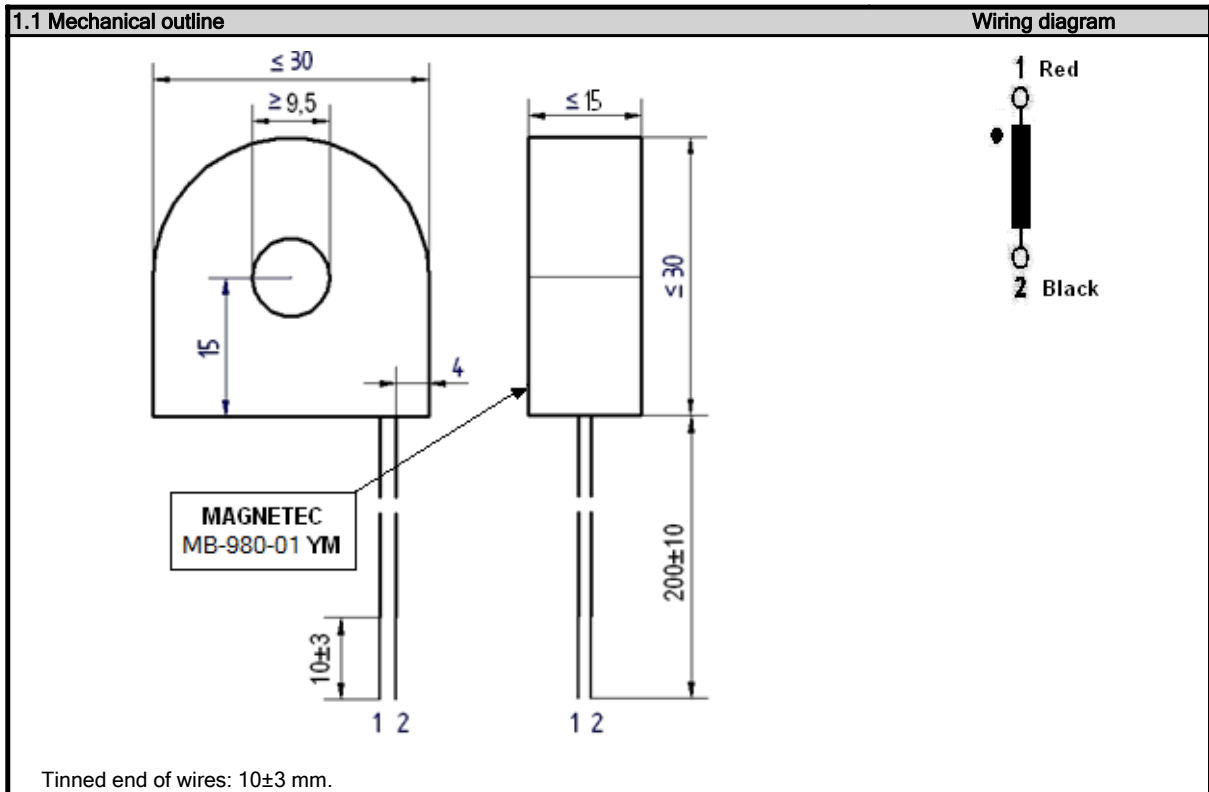


FORM Identifier: F 190 Revision: 02 Page: 1/1	Product specification for Inductive Components	MAGNETEC GmbH Industriestrasse 7 D-63505 Langenselbold
---------------------------------------------------------------	-----------------------------------------------------------	---------------------------------------------------------------------

Client:	MAGNETEC	Magnetec P/N:	MB-980	Magnetec A/N:	
Client's p/n:	-	PS Index:	01S	PS Revision:	01
Subject:	CT Component			Type:	K



2. Nominal values			
Core material:	NANOPERM®	Wire Resistance:	≤ 65 Ohms
Nominal voltage:	- V _{eff} AC	High voltage strength:	1,5 kV
Nominal inductance:	1 x 1,6 H	Operating temperature:	-40 ... +70 °C
Nominal current:	I _{p eff} = 80 A	Storage temperature:	-40 ... +85 °C
Leakage inductances:		Design standard:	EN 62053-21
No. of turns:	N2 = 2500 turns	Wire diameter:	mm
Comments:	I DC peak = 80 A; Recommended R _b = 10,75 Ohm to reach U _b = 0,3 V,rms.		

3. Inspection values			
	Measured value	Measuring limits	Measuring configurations
Inductivity L2 [H]		1,33 - 1,87	f = 50 Hz
Wire resistance R _{cu2} [Ohms]		0 - 65	RT = 25 °C
N2 turns		2475 - 2525	U _{eff} = 1V
		-	
		-	

4. Others	
Marking:	MAGNETEC MB-980-01 SAMPLE YM (YM = Year/Month), acc. to IEC 62 5.1
Packaging:	30 pcs. per layer, 3 layers per carton box; PU = 90 pcs.
Comments:	

Index / Rev.	Alteration	Date
01S / 01	Preliminary Specification	06.12.2010

Created:	Zs. Sándor	Approved (Techn):		Approved (Quality):		Released:	
	06.12.2010						