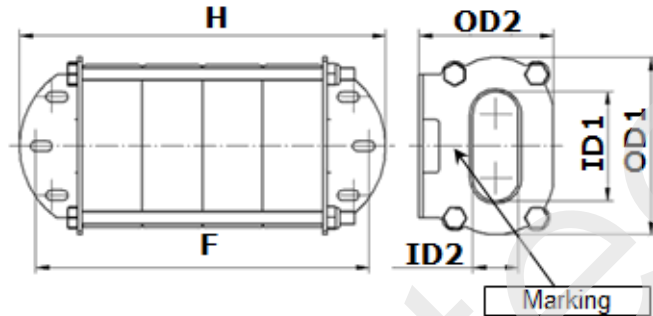


CONFIDENTIAL - Reproduction, publication and dissemination of this publication, enclosures hereto and the information contained therein is prohibited without MAGNETEC 's prior written consent.

Client:	MAGNETEC	Magnetec P/N:	M-1428		
Client's P/N:	/	PS Index:	01	PS Revision:	01
Subject:	EMC Wandler				

1. Mechanical Outline	
Nominal equivalent round core: 80 x 63 x (30x4) Finished product dimensions: OD ≤ ID ≥ H ≤ [dimensions] = mm OD1 = 110±0,5 ID1 = 68±2 OD2 = 82,5±0,5 ID2 = 28±1 F = 196 ±5 H = 216 ±5	

2. Core data (nominal values)			
Core material:	NANOPERM®	$L_{Fe} = 22,36 \text{ cm}$	$A_{Fe} = 7,44 \text{ cm}^2$
Permeability level:	/	@ frequency	@ H peak 3 mA/cm

3. Inspection values (at room temperature, unless otherwise stated)			
Measured value	Measurement limits	Frequency	leff x N [mA x turn]
AL [µH]	96,4 - 192,8	10 kHz	50
AL [µH]	57,6 - NA	100 kHz	50

4. Core finishing	
Type:	Tube of cased cores
Marking:	See below
Packaging:	1 pcs. per layer; 1 layers per carton box; PU = 1 pcs.

5. Comments
LASER MARKING ON HOLDER : Data matrix MAGNETEC M -1428-01 Data matrix with the following content: PYYWWD013008XXXXXX (P= Plant code of MH YYWW= Year/Week D=Production day: 1=Monday / 2= Tue / 3=We / 4=Thu / 5=Fr / 6=Sa / 7=Sun XXXXXX= serial number) Visit http://www.magnetec.de/fileadmin/pdf/pb_ds.pdf for further information.

Index / Revision	Alteration	Date
01 / 01	Product specification	30.08.2022

Created:	P. Kárpáti 30.08.2022	Approved (Techn):	I. Pajkos 2023.06.01	Approved (Quality):	D. Parragi 31.05.2023	Released:	B. Kessler 13.06.2023
-----------------	--------------------------	--------------------------	-------------------------	----------------------------	--------------------------	------------------	--------------------------

CONFIDENTIAL - Reproduction, publication and dissemination of this publication, enclosures hereto and the information contained therein is prohibited without MAGNETEC's prior written consent. Disclosing the specification to third parties or using its content without written permission from MAGNETEC is strictly forbidden and every offender is liable to pay the corresponding damages .