

CONFIDENTIAL - Reproduction, publication and dissemination of this publication, enclosures hereto and the information contained therein is prohibited without MAGNETEC 's prior written consent.

Client:	MAGNETEC	Magnetec P/N:	M-3097		
Client's P/N:		PS Index:	03	PS Revision:	02
Subject:	EMC Wandler				

1. Mechanical Outline

Nominal equivalent round core:

30 x 20 x 10

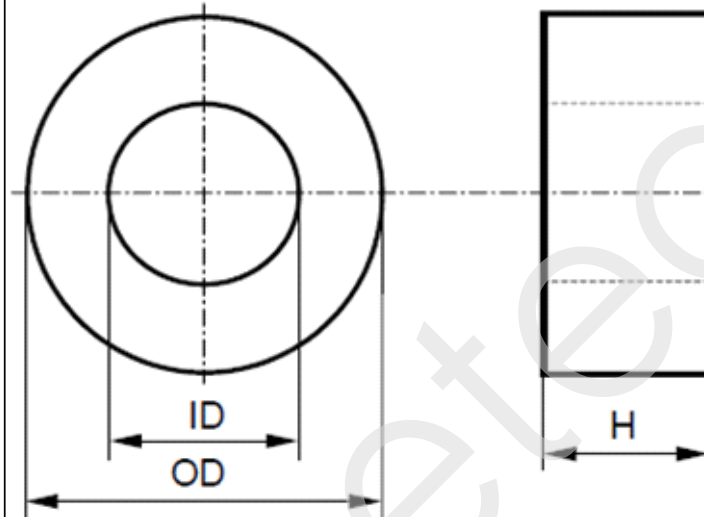
Finished product dimensions:

OD \leq **33.6**

ID \geq **17.5**

H \leq **12.5**

[dimensions] = mm



2. Core data (nominal values)

Core material:	NANOPERM®	$L_{Fe} = 7.85 \text{ cm}$	$A_{Fe} = 0.4 \text{ cm}^2$
Permeability level:	90 000	@ frequency 10 kHz	@ H peak mA/cm

3. Inspection values (at room temperature, unless otherwise stated)

Measured value	Measurement limits	Frequency	Ueff [mV]
AI [μH]	42.0 - 80.0	10 kHz	300

4. Core finishing

Type:	Cased
Marking:	MAGNETEC M-3097 -03 YM (YM = Year/Month), acc. to IEC 60062:2004 6.1.1
Packaging:	45 pcs. per layer; 6 layers per carton box; PU = 270 pcs.

5. Comments

Visit http://www.magnetec.de/fileadmin/pdf/pb_ds.pdf for further information.

Index / Revision	Alteration	Date
03/02	Change AL at 10KHz	2022/10/11
03/01	Cased dimension changed	2014/9/10
02/01	Cased core dimension changed	2011/5/8
01/01	Created	2010/9/2

Created:	George Yuanqi Shao 2022.10.11	Approved (Techn):	San Yusen Zhou 01.11.2022	Approved (Quality):	Jacky Jianning Chen 01.11.2022	Released:	George Yuanqi Shao 01.11.2022
-----------------	----------------------------------	--------------------------	------------------------------	----------------------------	-----------------------------------	------------------	----------------------------------

CONFIDENTIAL - Reproduction, publication and dissemination of this publication, enclosures hereto and the information contained therein is prohibited without MAGNETEC's prior written consent. Disclosing the specification to third parties or using its content without written permission from MAGNETEC is strictly forbidden and every offender is liable to pay the corresponding damages .