

CONFIDENTIAL - Reproduction, publication and dissemination of this publication, enclosures hereto and the information contained therein is prohibited without MAGNETEC's prior written consent.

Client:	MAGNETEC	Magnetec P/N:	M-3115		
Client's P/N:		PS Index:	03	PS Revision:	02
Subject:	EMC Wandler				

1. Mechanical Outline

Nominal equivalent round core:

50 x 40 x 20

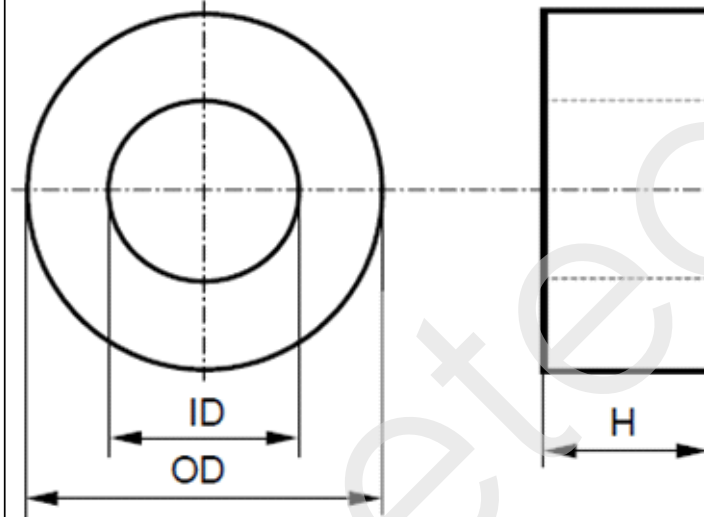
Finished product dimensions:

OD ≤ **53.8**

ID ≥ **36.8**

H ≤ **23.2**

[dimensions] = mm



2. Core data (nominal values)

Core material:	NANOPERM®	$L_{Fe} = 14.13 \text{ cm}$	$A_{Fe} = 0.2 \text{ cm}^2$
Permeability level:	80000	@ frequency 10 kHz	@ H peak mA/cm

3. Inspection values (at room temperature, unless otherwise stated)

Measured value	Measurement limits	Frequency	Ueff [mV]
AL [μH]	41.0- NA	10kHz	300
AL [μH]	10.0 - NA	100kHz	300

4. Core finishing

Type:	Cased
Marking:	MAGNETEC M-3115-03 YM (YM = Year/Month), acc. to IEC 60062:2004 6.1.1
Packaging:	8 pcs. per layer; 4 layers per carton box; PU = 32 pcs.

5. Comments

Visit http://www.magnetec.de/fileadmin/pdf/pb_ds.pdf for further information.

Index / Revision	Alteration	Date
01/01	Created	2010/10/1
02/01	AL changed at 100kHz	2012/11/14
02/02	Changing case material and tape type	2015/9/9
03/01	Revising the size	2017/3/2
03/02	Revise AL ranges at 10kHz & 100kHz	2022/9/14

Created:	George Yuanqi Shao 2022/9/14	Approved (Techn):	San Yusen Zhou 2022/10/8	Approved (Quality):	Jacky Jianning Chen 2022/9/14	Released:	George Yuanqi Shao 2022/10/8
-----------------	---------------------------------	--------------------------	-----------------------------	----------------------------	----------------------------------	------------------	---------------------------------

CONFIDENTIAL - Reproduction, publication and dissemination of this publication, enclosures hereto and the information contained therein is prohibited without MAGNETEC's prior written consent. Disclosing the specification to third parties or using its content without written permission from MAGNETEC is strictly forbidden and every offender is liable to pay the corresponding damages.