

CONFIDENTIAL - Reproduction, publication and dissemination of this publication, enclosures hereto and the information contained therein is prohibited without MAGNETEC's prior written consent.

<b>Client:</b>	<b>MAGNETEC</b>	<b>Magnetec P/N:</b>	<b>M-3220</b>		
<b>Client's P/N:</b>		<b>PS Index:</b>	<b>04</b>	<b>PS Revision:</b>	<b>01</b>
<b>Subject:</b>	<b>EMC Wandler</b>				

### 1. Mechanical Outline

Nominal equivalent round core:

**45 x 30 x 15**

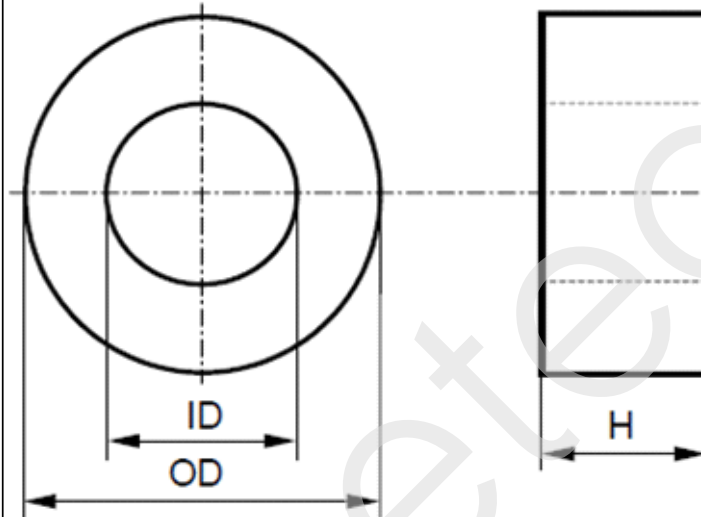
Finished product dimensions:

OD  $\leq$  **49.5**

ID  $\geq$  **26.8**

H  $\leq$  **18.5**

[dimensions] = mm



### 2. Core data (nominal values)

Core material:	<b>NANOPERM®</b>	$L_{Fe} =$ <b>11.78 cm</b>	$A_{Fe} =$ <b>0.9 cm<sup>2</sup></b>
Permeability level:	<b>110000</b>	@ frequency <b>10 kHz</b>	@ H peak

### 3. Inspection values (at room temperature, unless otherwise stated)

Measured value	Measurement limits	Frequency	leff x N [mA x turn]
<b>AL [μH]</b>	<b>80.0- 130</b>	<b>10KHz</b>	<b>100μA, RT</b>
<b>AL [μH]</b>	<b>19.5 - NA</b>	<b>100KHz</b>	<b>100μA, RT</b>

### 4. Core finishing

Type:	<b>Glued into case</b>
Marking:	<b>MAGNETEC M-3220-04 YM (YM = Year/Month), acc. to IEC 60062:2004 6.1.1</b>
Packaging:	<b>24 pcs. per layer; 6 layers per carton box; PU = 144 pcs.</b>

### 5. Comments

Visit [http://www.magnetec.de/fileadmin/pdf/pb\\_ds.pdf](http://www.magnetec.de/fileadmin/pdf/pb_ds.pdf) for further information.

Index / Revision	Alteration	Date
01/01	New create	2011/11/21
02/01	Case changed	2014/11/26
03/01	Revise finished core dimensions OD and H Revise AL values at 10kHz and 100kHz	2021/4/28
04/01	Revise AL values at 10kHz & 100kHz; Revise measuring conditions from 0.3V to 100μA; Add gluing process	2022/5/17

<b>Created:</b>	George Yuanqi Shao 2022/9/16	<b>Approved (Techn):</b>	San Yusen Zhou 2022/9/16	<b>Approved (Quality):</b>	Jacky Jianning Chen 2022/9/16	<b>Released:</b>	George Yuanqi Shao 2022/9/16
-----------------	---------------------------------	--------------------------	-----------------------------	----------------------------	----------------------------------	------------------	---------------------------------

CONFIDENTIAL - Reproduction, publication and dissemination of this publication, enclosures hereto and the information contained therein is prohibited without MAGNETEC's prior written consent. Disclosing the specification to third parties or using its content without written permission from MAGNETEC is strictly forbidden and every offender is liable to pay the corresponding damages.