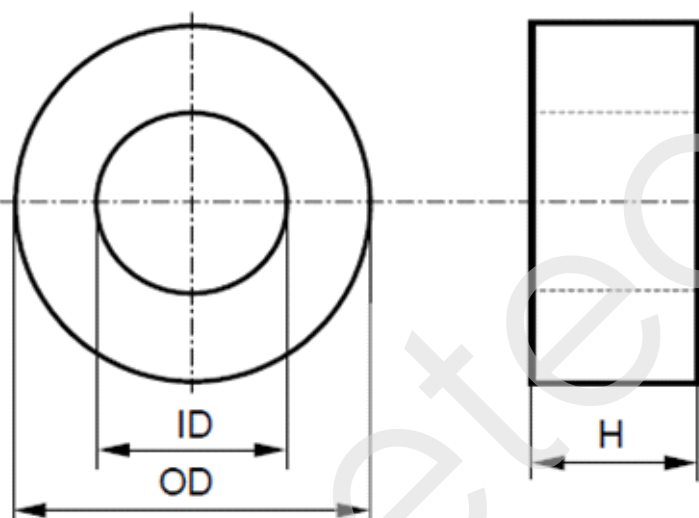


CONFIDENTIAL - Reproduction, publication and dissemination of this publication, enclosures hereto and the information contained therein is prohibited without MAGNETEC's prior written consent.

Client:	MAGNETEC	Magnetec P/N:	M-3439		
Client's P/N:		PS Index:	01	PS Revision:	02
Subject:	EMC Wandler				

1. Mechanical Outline	
Nominal equivalent round core: 9.8 x 6.5 x 4.5 Finished product dimensions: OD ≤ 11.9 ID ≥ 5.0 H ≤ 6.1 [dimensions] = mm	

2. Core data (nominal values)			
Core material:	NANOPERM®	$L_{Fe} = 2.55 \text{ cm}$	$A_{Fe} = 0.06 \text{ cm}^2$
Permeability level:	90000	@ frequency 10 kHz	@ H peak

3. Inspection values (at room temperature, unless otherwise stated)			
Measured value	Measurement limits	Frequency	Ueff [mV]
AL [μH]	19.0- 37.0	10kHz	300
AL [μH]	5.0 - NA	100kHz	300

4. Core finishing	
Type:	Cased
Marking:	
Packaging:	400 pcs. per layer; 6 layers per carton box; PU = 2400 pcs.

5. Comments
Visit http://www.magnetec.de/fileadmin/pdf/pb_ds.pdf for further information.

Index / Revision	Alteration	Date
01/01	Created	8/10/2012
01/02	Revise AL ranges at 10kHz & 100kHz	9/9/2022

Created:	George Yuanqi Shao 9/9/2022	Approved (Techn):	San Yusen Zhou 8/10/2022	Approved (Quality):	Jacky Jianning Chen 9/9/2022	Released:	George Yuanqi Shao 8/10/2022
-----------------	--------------------------------	--------------------------	-----------------------------	----------------------------	---------------------------------	------------------	---------------------------------

CONFIDENTIAL - Reproduction, publication and dissemination of this publication, enclosures hereto and the information contained therein is prohibited without MAGNETEC's prior written consent. Disclosing the specification to third parties or using its content without written permission from MAGNETEC is strictly forbidden and every offender is liable to pay the corresponding damages.