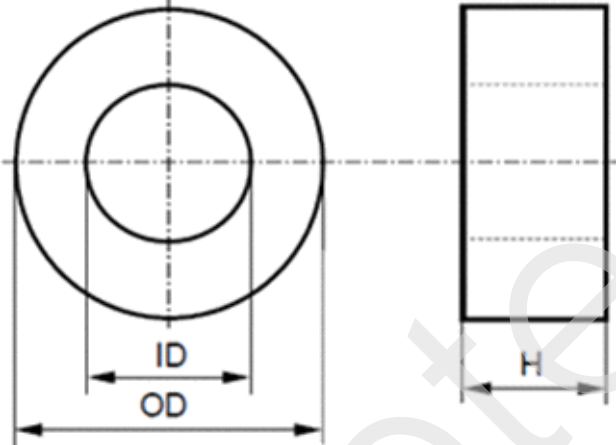


CONFIDENTIAL - Reproduction, publication and dissemination of this publication, enclosures hereto and the information contained therein is prohibited without MAGNETEC's prior written consent.

Client:	MAGNETEC	Magnetec P/N:	M-4095		
Client's P/N:		PS Index:	01	PS Revision:	04
Subject:	EMC Wandler				

1. Mechanical Outline	
Nominal equivalent round core: 100 x 80 x 20 Finished product dimensions: OD ≤ 103 ID ≥ 77 H ≤ 22 [dimensions] = mm	

2. Core data (nominal values)			
Core material:	NANOPERM®	$L_{Fe} = 28.26 \text{ cm}$	$A_{Fe} = 1.64 \text{ cm}^2$
Permeability level:	30000	@ frequency 10 kHz	@ H peak

3. Inspection values (at room temperature, unless otherwise stated)			
Measured value	Measurement limits	Frequency	Ueff [mV]
AL [μH]	12.6 - 28.3	10kHz	300
AL [μH]	11.0 - NA	100kHz	300

4. Core finishing	
Type:	Epoxy coated
Marking:	MAGNETEC M-4095-01 YM (YM = Year/Month), acc. to IEC 60062 6.1.1
Packaging:	3 pcs. per layer; 4 layers per carton box; PU = 12 pcs.

5. Comments	
Visit http://www.magnetec.de/fileadmin/pdf/pb_ds.pdf for further information.	

Index / Revision	Alteration	Date
01/01	Created	25/06/2015
01/02	Specification Vs 01 update to Vs 02, AI value changed	26/10/2016
01/03	Specification Vs 02 update to Vs 03, AI value changed	27/12/2016
01/04	Revise finished core dimensions according to reality .	26/07/2022

Created:	George Yuanqi Shao 26.07.2022	Approved (Techn):	P. Seiz 01.08.2022	Approved (Quality):	Jacky Jianning Chen 01.08.2022	Released:	San Yusen Zhou 02.08.2022
-----------------	----------------------------------	--------------------------	-----------------------	----------------------------	-----------------------------------	------------------	------------------------------

CONFIDENTIAL - Reproduction, publication and dissemination of this publication, enclosures hereto and the information contained therein is prohibited without MAGNETEC's prior written consent. Disclosing the specification to third parties or using its content without written permission from MAGNETEC is strictly forbidden and every offender is liable to pay the corresponding damages.