

CONFIDENTIAL - Reproduction, publication and dissemination of this publication, enclosures hereto and the information contained therein is prohibited without MAGNETEC 's prior written consent.

<b>Client:</b>	<b>MAGNETEC</b>	<b>Magnetec P/N:</b>	<b>M-4162</b>		
<b>Client's P/N:</b>		<b>PS Index:</b>	<b>01</b>	<b>PS Revision:</b>	<b>03</b>
<b>Subject:</b>	<b>EMC Wandler</b>				

### 1. Mechanical Outline

Nominal equivalent round core:

**90 x 60 x 20**

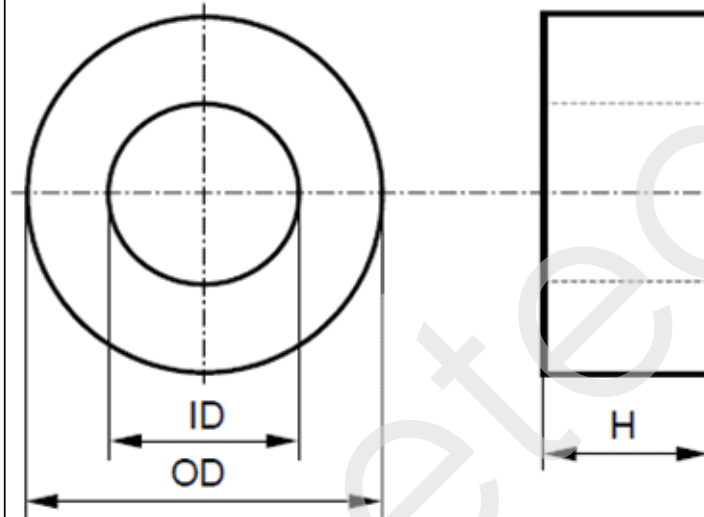
Finished product dimensions:

OD  $\leq$  **97.0**

ID  $\geq$  **55.0**

H  $\leq$  **24.6**

[dimensions] = mm



### 2. Core data (nominal values)

Core material:	<b>NANOPERM®</b>	$L_{Fe} =$ <b>23.55 cm</b>	$A_{Fe} =$ <b>2.46 cm<sup>2</sup></b>
Permeability level:	<b>90000</b>	@ frequency <b>10 kHz</b>	@ H peak

### 3. Inspection values (at room temperature, unless otherwise stated)

Measured value	Measurement limits	Frequency	Ueff [mV]
<b>AL [μH]</b>	<b>80 - 160</b>	<b>10 kHz</b>	<b>300</b>

### 4. Core finishing

Type:	<b>Cased</b>
Marking:	<b>MAGNETEC M- 4162- 01YM (YM = Year/Month), acc. to IEC 60062:2004 6.1.1</b>
Packaging:	<b>6 pcs. per layer; 4 layers per carton box; PU = 24 pcs.</b>

### 5. Comments

Visit [http://www.magnetec.de/fileadmin/pdf/pb\\_ds.pdf](http://www.magnetec.de/fileadmin/pdf/pb_ds.pdf) for further information.

Index / Revision	Alteration	Date
01/01	Created	2015/7/22
01/02	Test frequency changed	2017/8/22
01/03	Revise AL ranges at 10kHz	2022/9/13

<b>Created:</b>	George Yuanqi Shao 2022/9/13	<b>Approved (Techn):</b>	San Yusen Zhou 2022/10/8	<b>Approved (Quality):</b>	Jacky Jianning Chen 2022/9/13	<b>Released:</b>	George Yuanqi Shao 2022/10/8
-----------------	---------------------------------	--------------------------	-----------------------------	----------------------------	----------------------------------	------------------	---------------------------------

CONFIDENTIAL - Reproduction, publication and dissemination of this publication, enclosures hereto and the information contained therein is prohibited without MAGNETEC's prior written consent. Disclosing the specification to third parties or using its content without written permission from MAGNETEC is strictly forbidden and every offender is liable to pay the corresponding damages.