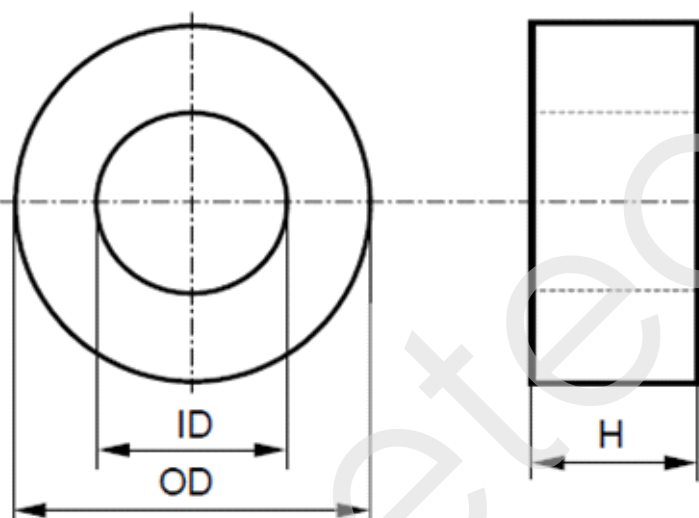


CONFIDENTIAL - Reproduction, publication and dissemination of this publication, enclosures hereto and the information contained therein is prohibited without MAGNETEC's prior written consent.

Client:	MAGNETEC	Magnetec P/N:	M-4163		
Client's P/N:		PS Index:	01	PS Revision:	03
Subject:	EMC Wandler				

1. Mechanical Outline	
Nominal equivalent round core: 100 x 80 x 30 Finished product dimensions: OD ≤ 107.2 ID ≥ 70.8 H ≤ 34.2 [dimensions] = mm PRELIMINARY	

2. Core data (nominal values)			
Core material:	NANOPERM®	$L_{Fe} = 28.26 \text{ cm}$	$A_{Fe} = 2.46 \text{ cm}^2$
Permeability level:	90000	@ frequency 10 kHz	@ H peak

3. Inspection values (at room temperature, unless otherwise stated)			
Measured value	Measurement limits	Frequency	Ueff [mV]
AL [μH]	70.0 - 130.0	10 kHz	300

4. Core finishing	
Type:	Cased
Marking:	MAGNETEC M-4163-01 YM (YM = Year/Month), acc. to IEC 60062:2004 6.1.1
Packaging:	5 pcs. per layer; 4 layers per carton box; PU = 20 pcs.

5. Comments
Visit http://www.magnetec.de/fileadmin/pdf/pb_ds.pdf for further information.

Index / Revision	Alteration	Date
01/01	Created	2015/7/22
01/02	Test frequency changed	2016/4/19
01/03	Revise AL ranges at 10kHz	2022/9/14

Created:	George Yuanqi Shao 2022/9/14	Approved (Techn):	San Yusen Zhou 2022/10/8	Approved (Quality):	Jacky Jianning Chen 2022/9/14	Released:	George Yuanqi Shao 2022/10/8
-----------------	---------------------------------	--------------------------	-----------------------------	----------------------------	----------------------------------	------------------	---------------------------------

CONFIDENTIAL - Reproduction, publication and dissemination of this publication, enclosures hereto and the information contained therein is prohibited without MAGNETEC's prior written consent. Disclosing the specification to third parties or using its content without written permission from MAGNETEC is strictly forbidden and every offender is liable to pay the corresponding damages.