

FORM F 108  
Revision: 05  
Page: 1/1

**Product specification  
for inductive components**

**MAGNETEC GmbH**  
Industriestrasse 7  
D-63505 Langenselbold

<b>Client:</b>	<b>MAGNETEC GmbH</b>	<b>Magnetec P/N:</b>	<b>M-083</b>	<b>Magnetec A/N:</b>	<b>12134</b>
<b>Client's P/N:</b>	/	<b>PS Index:</b>	<b>03</b>	<b>PS Revision:</b>	<b>06</b>
<b>Subject:</b>	<b>EMC Wandler</b>				

**1. Mechanical Outline**

Nominal equivalent round core:

**40 x 25 x 15**

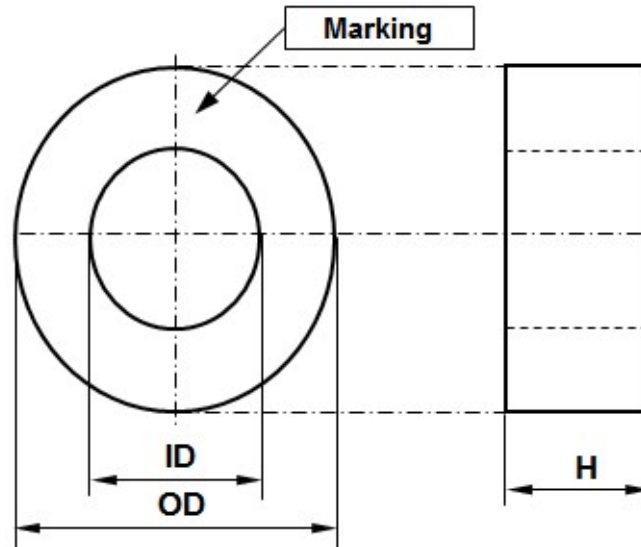
Finished product dimensions:

OD  $\leq$  **43,5**

ID  $\geq$  **22,5**

H  $\leq$  **18,5**

[dimensions] = mm



**2. Core data (nominal values)**

Core material:	<b>NANOPERM®</b>	$L_{Fe} = 10,03 \text{ cm}$	$A_{Fe} = 0,88 \text{ cm}^2$
Permeability level:	$\geq 80\,000$	@ frequency <b>10 kHz</b>	@ H peak <b>2,8 mA/cm</b>

**3. Inspection values (at room temperature, unless otherwise stated)**

Measured value	Measurement limits	Frequency	leff x N [mA x turn]
<b>AL [μH]</b>	<b>75,0 - 142,0</b>	<b>10 kHz</b>	<b>20,0</b>
<b>AL [μH]</b>	<b>17,3 - 35,4</b>	<b>100 kHz</b>	<b>20,0</b>

**4. Core finishing**

Type:	<b>Cased</b>
Marking:	<b>MAGNETEC M-083-03 YM (YM = Year/Month), acc. to IEC 60062 6.1.1</b>
Packaging:	<b>24 pcs. per layer; 4 layers per carton box; PU = 96 pcs.</b>

**5. Comments**

Visit [http://www.magnetec.de/fileadmin/pdf/pb\\_ds.pdf](http://www.magnetec.de/fileadmin/pdf/pb_ds.pdf) for further information.

Index / Revision	Alteration	Date
01S / 01	Sample	12.12.2000
01 / 01	Foamring 41x26x2	28.06.2001
02 / 02	Case material PA 6.6	01.09.2003
02 / 03	PU = 120 pcs	23.07.2004
03 / 04	New case MT-033.03 / PU = 96 pcs	29.08.2007
03 / 05	Case change - thicker wall	04.02.2016
03 / 06	Introduce 10 kHz upper limit, and 100 kHz limits	25.08.2020

<b>Created:</b>	Z. Braxátor 25.08.2020	<b>Approved (Techn):</b>	F. Záborszky 27.08.2020	<b>Approved (Quality):</b>	G. Zsák 27.08.2020	<b>Released:</b>	B. Kessler 27.08.2020
-----------------	---------------------------	--------------------------	----------------------------	----------------------------	-----------------------	------------------	--------------------------

Disclosing the specification to third parties or using its content without written permission from MAGNETEC is strictly forbidden and every offender is liable to pay the corresponding damages