

FORM F 108
Revision: 05
Page: 1/1

Product specification
for inductive components

MAGNETEC GmbH
Industriestrasse 7
D-63505 Langenselbold

Client:	MAGNETEC	Magnetec P/N:	M-123	Magnetec A/N:	12200
Client's P/N:	/	PS Index:	01	PS Revision:	04
Subject:	EMC Wandler				

1. Mechanical Outline

Nominal equivalent round core:

30 x 20 x 10

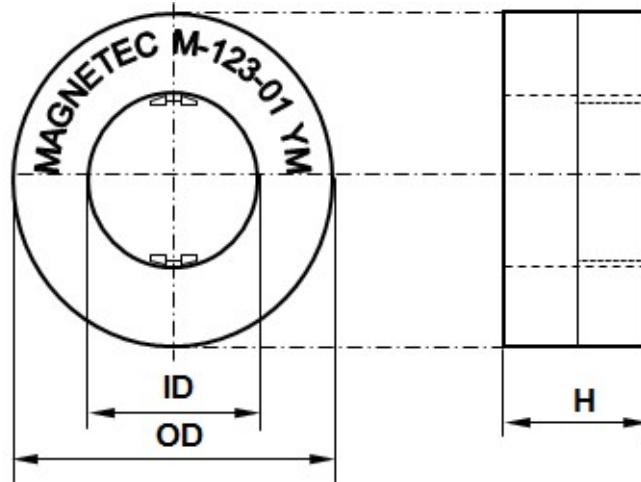
Finished product dimensions:

OD ≤ 32,9

ID ≥ 17,6

H ≤ 12,6

[dimensions] = mm



2. Core data (nominal values)

Core material:	NANOPERM®	$L_{Fe} = 7,75 \text{ cm}$	$A_{Fe} = 0,36 \text{ cm}^2$
Permeability level:	ca. 30.000	@ frequency 10 kHz	@ H peak 3,65 mA/cm

3. Inspection values (at room temperature, unless otherwise stated)

Measured value	Measurement limits	Frequency	leff x N [mA x turn]
AL [μH]	13,6 - 27,2	10 kHz	20
AL [μH]	6,8 - NA	100 kHz	20

4. Core finishing

Type:	Cased
Marking:	MAGNETEC M-123-01 YM (YM = Year/Month), acc. to IEC 60062 6.1.1
Packaging:	35 pcs. per layer; 6 layers per carton box; PU = 210 pcs.

5. Comments

Visit http://www.magnetec.de/fileadmin/pdf/pb_ds.pdf for further information.

Index / Revision	Alteration	Date
01 / 00	Product Specification	21.07.2003
01 / 01	Casechange: PU:210	01.06.2005
01 / 02	LN format	22.02.2013
01 / 03	100kHz lower limit defined	12.11.2014
01 / 04	Harmonization of part and finished product dimensions	02.01.2020

Created:	Z. Braxátor 02.01.2020	Approved (Techn):	F. Záborszky 02.01.2020	Approved (Quality):	G. Zsák 02.01.2020	Released:	B. Kessler 02.01.2020
----------	---------------------------	-------------------	----------------------------	---------------------	-----------------------	-----------	--------------------------

Disclosing the specification to third parties or using its content without written permission from MAGNETEC is strictly forbidden and every offender is liable to pay the corresponding damages