

FORM F 108  
Revision: 04  
Page: 1/1

**Product specification  
for inductive components**

**MAGNETEC GmbH**  
Industriestrasse 7  
D-63505 Langenselbold

<b>Client:</b>	<b>MAGNETEC</b>	<b>Magnetec P/N:</b>	<b>M-1623</b>	<b>Magnetec A/N:</b>	<b>12799</b>
<b>Client's P/N:</b>	/	<b>PS Index:</b>	<b>01</b>	<b>PS Revision:</b>	<b>01</b>
<b>Subject:</b>	<b>EMC Wandler</b>				

**1. Mechanical Outline**

Nominal equivalent round core:

**55 x 40 x 25**

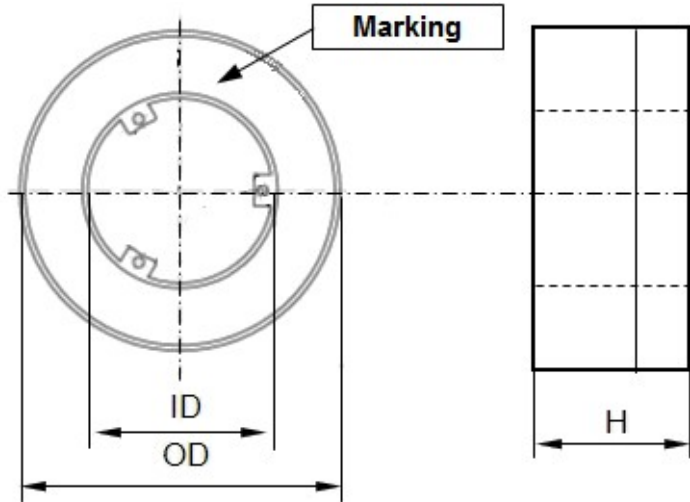
Finished product dimensions:

OD  $\leq$  60,5

ID  $\geq$  34,0

H  $\leq$  32,0

[dimensions] = mm



**2. Core data (nominal values)**

<b>Core material:</b>	<b>NANOPERM®</b>	$L_{Fe} = 14,7 \text{ cm}$	$A_{Fe} = 1,39 \text{ cm}^2$
<b>Permeability level:</b>		@ frequency	@ H peak
	<b>20 000</b>	<b>10 kHz</b>	<b>3 mA/cm</b>

**3. Inspection values (at room temperature, unless otherwise stated)**

Measured value	Measurement limits	Frequency	leff x N [mA x turn]
<b>AL [<math>\mu</math>H]</b>	<b>16,7 - 33,3</b>	<b>10 kHz</b>	<b>31</b>
<b>AL [<math>\mu</math>H]</b>	<b>13,3 - NA</b>	<b>100 kHz</b>	<b>31</b>

**4. Core finishing**

<b>Type:</b>	<b>Cased</b>
<b>Marking:</b>	<b>MAGNETEC M-1623-01 YM (YM = Year/Month), acc. to IEC 60062 6.1.1</b>
<b>Packaging:</b>	<b>10 pcs. per layer; 3 layers per carton box; PU = 30 pcs.</b>

**5. Comments**

Visit [http://www.magnetec.de/fileadmin/pdf/pb\\_ds.pdf](http://www.magnetec.de/fileadmin/pdf/pb_ds.pdf) for further information.

Index / Revision	Alteration	Date
01 / 01	First issue	06.07.2016

<b>Created:</b>	Z. Palánki 06.07.2016	<b>Approved (Techn):</b>	F. Záborszky 21.07.2016	<b>Approved (Quality):</b>	L. Ferencz 21.07.2016	<b>Released:</b>	T. Trupp 21.07.2016
-----------------	--------------------------	--------------------------	----------------------------	----------------------------	--------------------------	------------------	------------------------

Disclosing the specification to third parties or using its content without written permission from MAGNETEC is strictly forbidden and every offender is liable to pay the corresponding damages