

FORM F 108
Revision: 05
Page: 1/1

Product specification
for inductive components

MAGNETEC GmbH
Industriestrasse 7
D-63505 Langenselbold

Client:	MAGNETEC GmbH	Magnetec P/N:	M-310	Magnetec A/N:	12369
Client's P/N:	/	PS Index:	02	PS Revision:	04
Subject:	EMC Wandler				

1. Mechanical Outline

Nominal equivalent
round core:

40 x 35 x 5

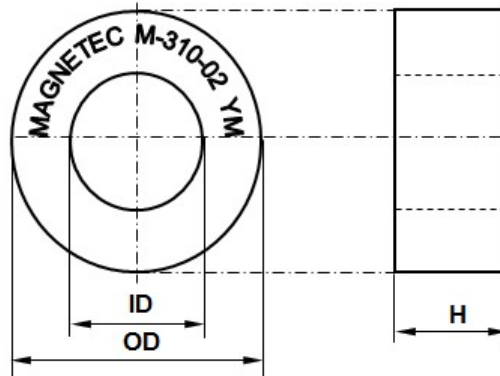
Finished product
dimensions:

OD \leq 42,5

ID \geq 31,8

H \leq 7,5

[dimensions] = mm



2. Core data (nominal values)

Core material:	NANOPERM®	$L_{Fe} = 11,76$ cm	$A_{Fe} = 0,09$ cm ²
Permeability level:	30 000	@ frequency 10 kHz	@ H peak 3,6 mA/cm

3. Inspection values (at room temperature, unless otherwise stated)

Measured value	Measurement limits	Frequency	leff x N [mA x turn]
AL [μ H]	2,1 - 4,2	10 kHz	30
AL [μ H]	1,26 - NA	100 kHz	30

4. Core finishing

Type:	Cased
Marking:	MAGNETEC M-310-02 YM (YM = Year/Month), acc. to IEC 60062 6.1.1
Packaging:	24 pcs. per layer; 9 layers per carton box; PU = 216 pcs.

5. Comments

Visit http://www.magnetec.de/fileadmin/pdf/pb_ds.pdf for further information.

Index / Revision	Alteration	Date
02 / 01	Product Specification	05.10.2006
02 / 02	Packaging: PU = 216 pcs.	06.12.2006
02 / 03	100kHz lower limit defined	14.11.2014
02 / 04	100kHz lower limit increased by 20%	16.05.2018

Created:	M. Pádár 16.05.2018	Approved (Techn):	F. Záborszky 08.06.2018	Approved (Quality):	R. Montvai 28.05.2018	Released:	P. Seiz 23.11.2018
----------	------------------------	----------------------	----------------------------	------------------------	--------------------------	-----------	-----------------------

Disclosing the specification to third parties or using its content without written permission from MAGNETEC is strictly forbidden and every offender is liable to pay the corresponding damages