

FORM F 108
Revision: 05
Page: 1/1

Product specification
for inductive components

MAGNETEC GmbH
Industriestrasse 7
D-63505 Langenselbold

Client:	MAGNETEC GmbH	Magnetec P/N:	M-484	Magnetec A/N:	12899
Client's P/N:	/	PS Index:	03	PS Revision:	03
Subject:	EMC Wandler				

1. Mechanical Outline

Nominal equivalent round core:

50 x 40 x 25

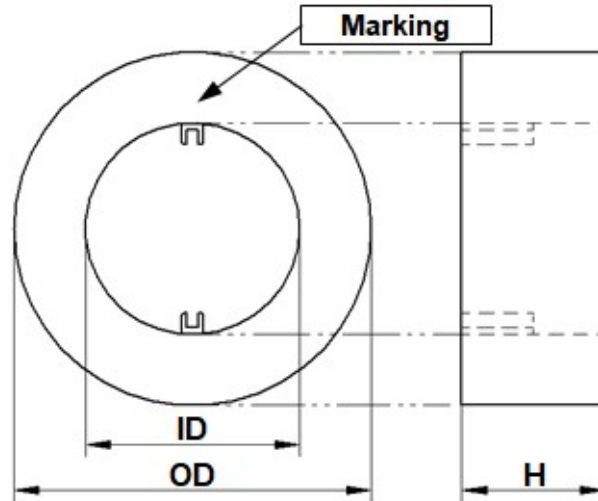
Finished product dimensions:

OD \leq 54,2

ID \geq 35,7

H \leq 29,7

[dimensions] = mm



2. Core data (nominal values)

Core material:	NANOPERM®	$L_{Fe} = 14,1 \text{ cm}$	$A_{Fe} = 0,91 \text{ cm}^2$
Permeability level:	60 000	@ frequency 10 kHz	@ H peak 3 mA/cm

3. Inspection values (at room temperature, unless otherwise stated)

Measured value	Measurement limits	Frequency	leff x N [mA x turn]
AL [μ H]	34,2 - 68,4	10 kHz	30
AL [μ H]	14,1 - NA	100 kHz	30

4. Core finishing

Type:	Cased
Marking:	MAGNETEC M-484-03 YM (YM = Year/Month), acc. to IEC 60062:2004 6.1.1
Packaging:	10 pcs. per layer; 3 layers per carton box; PU = 30 pcs.

5. Comments

Visit http://www.magnetec.de/fileadmin/pdf/pb_ds.pdf for further information.

Index / Revision	Alteration	Date
02 / 01	First issue	16.04.2019
03 / 02	Finished product dimension modification	15.05.2019
03 / 03	PU change from 40pcs/unit to 30pcs/unit	24.09.2020

Created:	Z. Braxátor 14.09.2020	Approved (Techn):	F. Zámbořszky 24.09.2020	Approved (Quality):	G. Zsák 24.09.2020	Released:	B. Kessler 24.09.2020
----------	---------------------------	-------------------	-----------------------------	---------------------	-----------------------	-----------	--------------------------

Disclosing the specification to third parties or using its content without written permission from MAGNETEC is strictly forbidden and every offender is liable to pay the corresponding damages