

FORM F 108  
Revision: 05  
Page: 1/1

**Product specification  
for inductive components**

**MAGNETEC GmbH**  
Industriestrasse 7  
D-63505 Langenselbold

<b>Client:</b>	<b>MAGNETEC</b>	<b>Magnetec P/N:</b>	<b>M-556</b>	<b>Magnetec A/N:</b>	<b>12959</b>
<b>Client's P/N:</b>	/	<b>PS Index:</b>	<b>02</b>	<b>PS Revision:</b>	<b>05</b>
<b>Subject:</b>	<b>EMC Wandler</b>				

**1. Mechanical Outline**

Nominal equivalent round core:

**20 x 12,5 x 8**

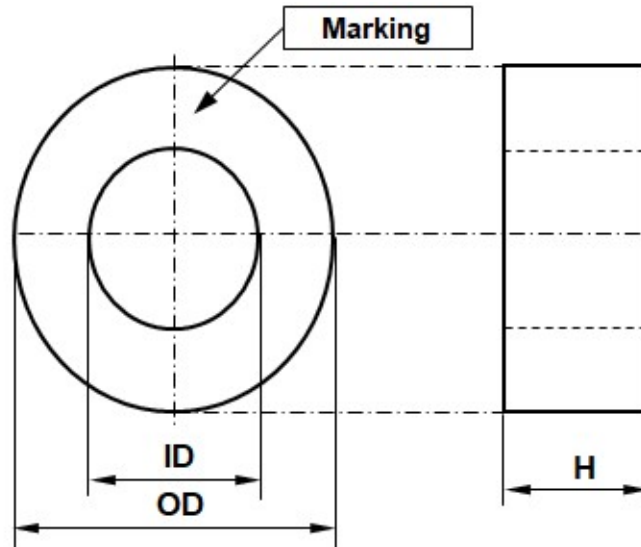
Finished product dimensions:

OD  $\leq$  **23,0**

ID  $\geq$  **10,2**

H  $\leq$  **10,2**

[dimensions] = mm



**2. Core data (nominal values)**

<b>Core material:</b>	<b>NANOPERM®</b>	$L_{Fe} = 4,97 \text{ cm}$	$A_{Fe} = 0,23 \text{ cm}^2$
<b>Permeability level:</b>	$\sim 30\ 000$	@ frequency <b>10 kHz</b>	@ H peak <b>2,82 mA/cm</b>

**3. Inspection values (at room temperature, unless otherwise stated)**

Measured value	Measurement limits	Frequency	leff x N [mA x turn]
<b>AL [<math>\mu</math>H]</b>	<b>12,6 - 25,3</b>	<b>10 kHz</b>	<b>0.3V</b>
<b>AL [<math>\mu</math>H]</b>	<b>6,8 - NA</b>	<b>100 kHz</b>	<b>0.3V</b>

**4. Core finishing**

<b>Type:</b>	<b>Glued into case</b>
<b>Marking:</b>	<b>MAGNETEC M-556-02 YM (YM = Year/Month), acc. to IEC 60062 6.1.1</b>
<b>Packaging:</b>	<b>69 pcs. per layer; 5 layers per carton box; PU = 345 pcs.</b>

**5. Comments**

Visit [http://www.magnetec.de/fileadmin/pdf/pb\\_ds.pdf](http://www.magnetec.de/fileadmin/pdf/pb_ds.pdf) for further information.

Index / Revision	Alteration	Date
01 / 01	Product Specification	18.03.2008
01 / 02	100kHz lower limit defined	25.11.2014
02 / 03	Finished product dimension corrected	08.09.2017
02 / 04	Product height harmonization	21.11.2019
02 / 05	100kHz lower limit update and change to two side glued core	2021.1.20

<b>Created:</b>	Y. Li 2021.1.20	<b>Approved (Techn):</b>		<b>Approved (Quality):</b>		<b>Released:</b>	
-----------------	--------------------	--------------------------	--	----------------------------	--	------------------	--

Disclosing the specification to third parties or using its content without written permission from MAGNETEC is strictly forbidden and every offender is liable to pay the corresponding damages