

FORM F 108
Revision: 04
Page: 1/1

Product specification
for inductive components

MAGNETEC GmbH
Industriestrasse 7
D-63505 Langenselbold

Client:	MAGNETEC	Magnetec P/N:	M-763	Magnetec A/N:	53121
Client's P/N:	/	PS Index:	01	PS Revision:	02
Subject:	EMC Wandler				

1. Mechanical Outline

Nominal equivalent round core:

40 x 25 x 15

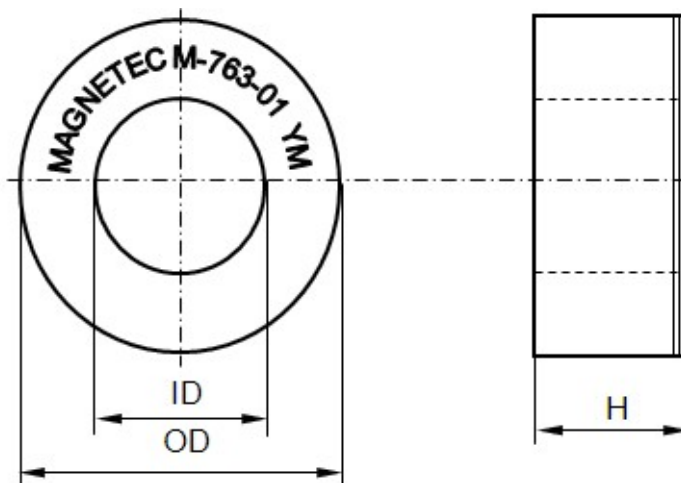
Finished product dimensions:

OD \leq 44,5

ID \geq 21,5

H \leq 19,0

[dimensions] = mm



2. Core data (nominal values)

Core material:	NANOPERM®	$L_{Fe} = 10,03 \text{ cm}$	$A_{Fe} = 0,88 \text{ cm}^2$
Permeability level:	$\geq 80\,000$	@ frequency 10 kHz	@ H peak 2,8 mA/cm

3. Inspection values (at room temperature, unless otherwise stated)

Measured value	Measurement limits	Frequency	leff x N [mA x turn]
AL [μ H]	75,0 - NA	10 kHz	20,0

4. Core finishing

Type:	Cased
Marking:	MAGNETEC M-763-01 YM (Y = year / M = month)
Packaging:	24 pcs. per layer; 4 layers per carton box; PU = 96 pcs.

5. Comments

Visit http://www.magnetec.de/fileadmin/pdf/pb_ds.pdf for further information.

Index / Revision	Alteration	Date
01 / 01	Product Specification	08.04.2010
01 / 02	Finished product dimension correction	25.04.2012

Created:	Z. Palánki 25.04.2012	Approved (Techn):	F. Záborszky 25.04.2012	Approved (Quality):	J. Gulyás 12.06.2012	Released:	F. Rauscher 12.06.2012
----------	--------------------------	----------------------	----------------------------	------------------------	-------------------------	-----------	---------------------------

Disclosing the specification to third parties or using its content without written permission from MAGNETEC is strictly forbidden and every offender is liable to pay the corresponding damages