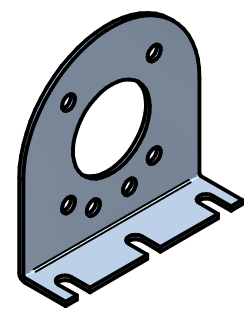
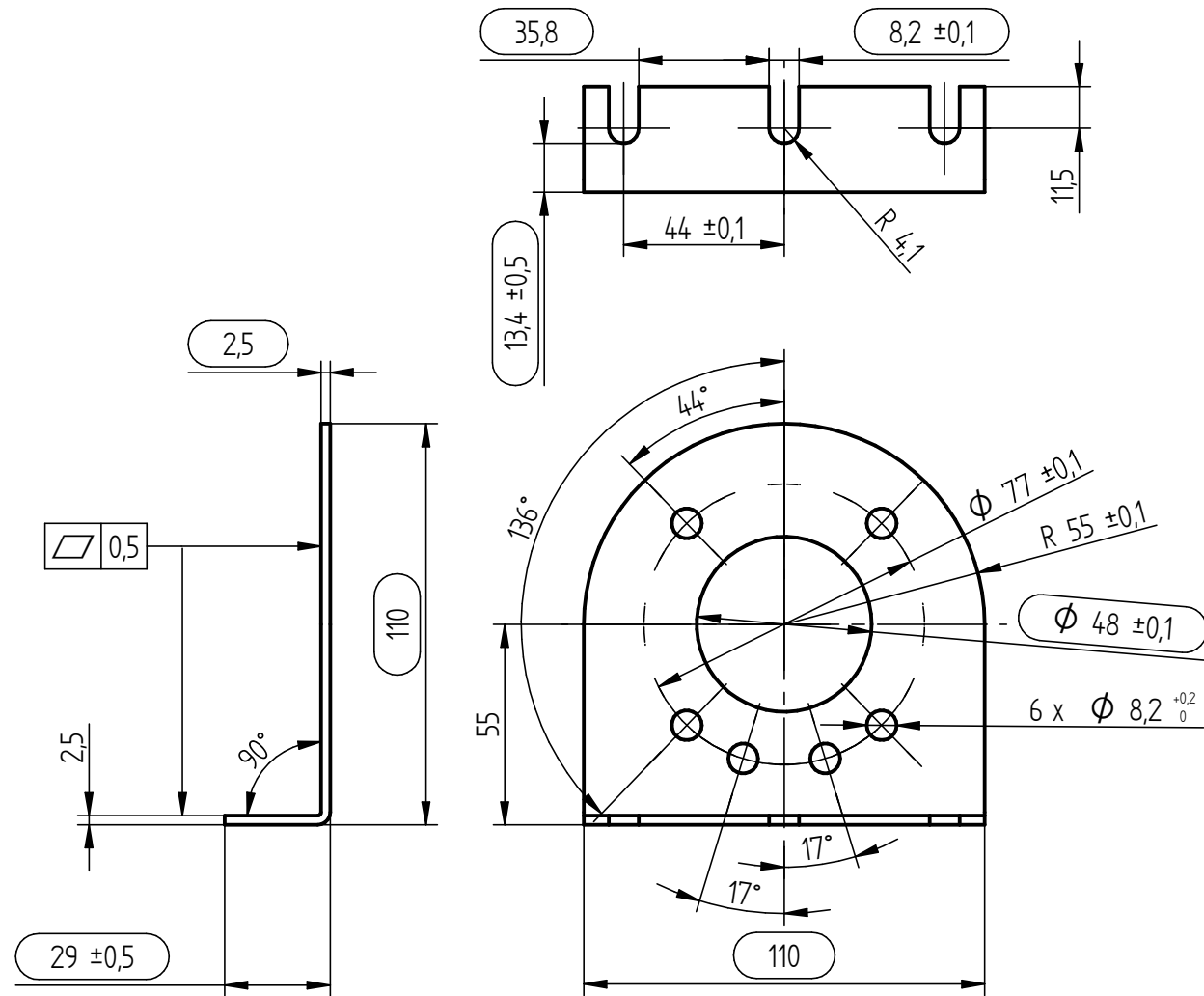


1 2 3 4 5 6 7 8

A
B
C
D



±

All parts must be clean finished!
All dimensions are in mm and all angles are in °.

General tolerances:

Dim. (mm)	0-1	1-3	3-40	40-100	100-500
Tol. (mm)	±0,05	±0,1	±0,2	±0,3	±0,5

Rev.	Alteration	Date	Created by	Approved by	MAGNETEC® MAGNET-TECHNOLOGIE	M 1:2	Description: Holder plate	Project: MS-112
01	First issue	08.12.2014.	M. Kovács	Z. Palánki				
					Material: Stainless steel 14301	EKS nr.: 59512	Reference nr.: MS-112	Rev.: 01